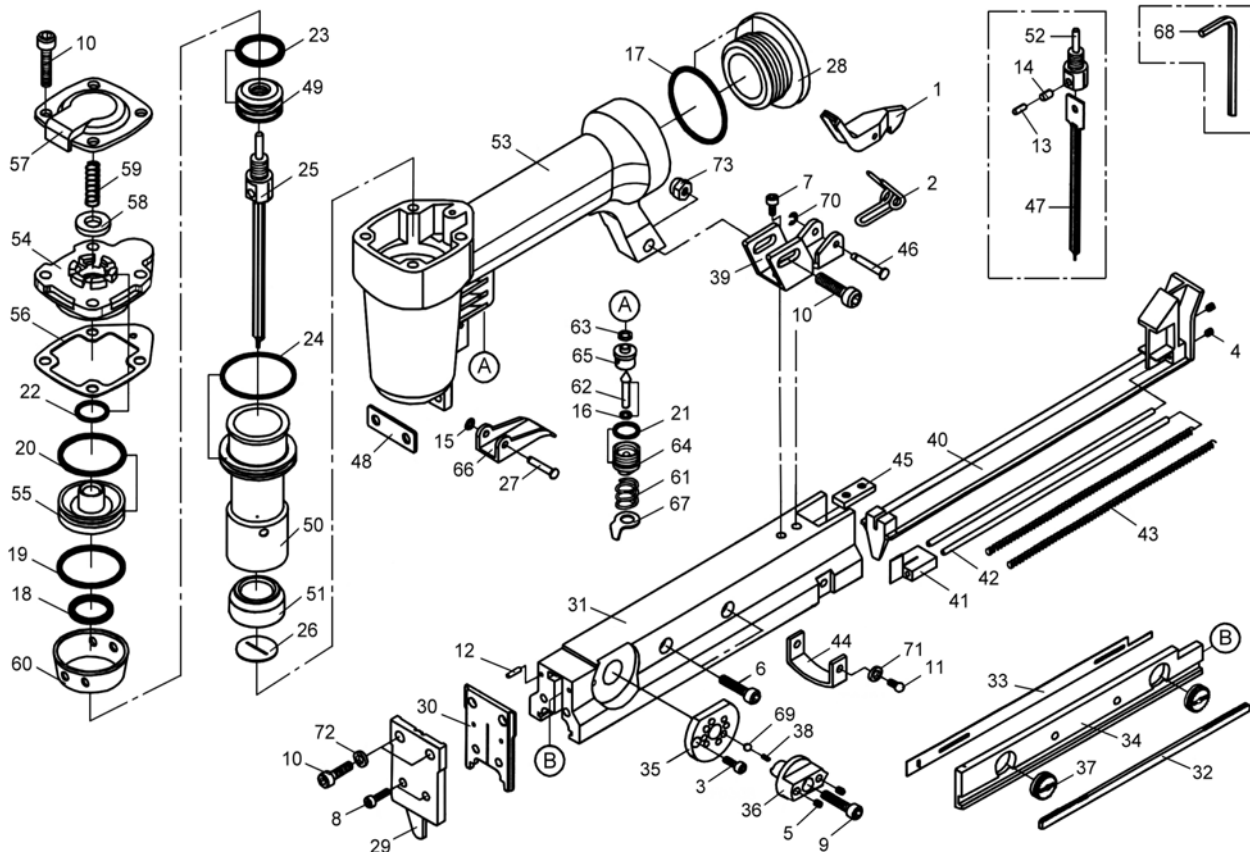


# 0900 0927 - CLAVADORA NEUMÁTICA P/CLAVOS



## SPECIFICATIONS :

\* SHANK DIA ----- 0.6 MM  
 \* AIR PRESSURE ----- 60-90 PSI  
 \* AIR INLET ----- 1/4" PT(NPT)

\* SHANK LENGTH ----- 12-20 MM  
 \* HOSE SIZE ----- 3/8" ID

REF NO.	PARTS NO.	DESCRIPTION	Q'TY	REF NO.	PARTS NO.	DESCRIPTION	Q'TY
1	0900092701	LATCH	1	38	0900092738	SPRING	2
2	0900092702	LATCH SPRING	1	39	0900092739	SUPPORT	1
3	0900092703	BUTTON HD. BOLT (M3x8L)	1	40	0900092740	MAGAZINE ASSY.	1
4	0900092704	HEX. SOC. SET SCREW (M4x4L)	2	41	0900092741	PUSHER	1
5	0900092705	HEX. SOC. SET SCREW (M5x5L)	2	42	0900092742	GUIDE STEM	2
6	0900092706	HEX. SOC. HD. BOLT (M4x6L)	2	43	0900092743	PUSHER SPRING	2
7	0900092707	HEX. SOC. HD. BOLT (M4x8L)	2	44	0900092744	MAGAZINE RETAINER	1
8	0900092708	HEX. SOC. HD. BOLT (M4x14L)	2	45	0900092745	FIXED BLOCK	1
9	0900092709	HEX. SOC. HD. BOLT (M4x18L)	1	46	0900092746	LATCH PIN	1
10	0900092710	HEX. SOC. HD. BOLT (M5x20L)	7	47	0900092747	DRIVER	1
11	0900092711	BUTTON HD. BOLT (M4x8L)	2	48	0900092748	SPACER	1
12	0900092712	SPRING PIN (Ø2x8L)	2	49	0900092749	MAIN PISTON	1
13	0900092713	SPRING PIN (Ø2.5x10L)	1	50	0900092750	CYLINDER	1
14	0900092714	SPRING PIN (Ø4x10L)	1	51	0900092751	BUMPER	1
15	0900092715	"O" RING (d1.42xW1.53)	1	52	0900092752	STEM	1
16	0900092716	"O" RING (d1.78xW1.78)	1	53	0900092753	BODY	1
17	0900092717	"O" RING (d34.59xW2.62)	1	54	0900092754	CYLINDER CAP	1
18	0900092718	"O" RING (d9.12xW3.53)	1	55	0900092755	HEAD VALVE PISTON	1
19	0900092719	"O" RING (d22.0xW3.0)	1	56	0900092756	CAP SEAL	1
20	0900092720	"O" RING (d26.8xW2.4)	1	57	0900092757	EXHAUST CAP	1
21	0900092721	"O" RING (d9.8xW1.9)	1	58	0900092758	PISTON STOP	1
22	0900092722	"O" RING (d11.8xW2.4)	1	59	0900092759	COMPRESSION SPRING	1
23	0900092723	"O" RING (d15.8xW2.4)	1	60	0900092760	COLLAR	1
24	0900092724	"O" RING (d29.5xW2.0)	1	61	0900092761	COMPRESSION SPRING	1
25	0900092725	DRIVER ASSY.	1	62	0900092762	TRIGGER VALVE STEM	1
26	0900092726	NOZZLE	1	63	0900092763	SEAL	1
27	0900092727	TRIGGER PIN	1	64	0900092764	TRIGGER VALVE GUIDE	1
28	0900092728	END CAP	1	65	0900092765	TRIGGER VALVE SEAT	1
29	0900092729	COVER PLATE	1	66	0900092766	TRIGGER	1
30	0900092730	GUIDE PLATE	1	67	0900092767	TRIGGER STOP	1
31	0900092731	MAGAZINE CAP	1	68	0900092768	HEX. BAR WRENCH (D4)	1
32	0900092732	GEAR RACK	1	69	0900092769	STEEL BALL (Ø4)	2
33	0900092733	ADJUSTABLE PLATE	1	70	0900092770	"E" RING (Ø2.5)	1
34	0900092734	ADJUSTABLE SEAT	1	71	0900092771	SPRING WASHER (Ø4)	2
35	0900092735	FIXED ROLLER	1	72	0900092772	SPRING WASHER (Ø5)	2
36	0900092736	ADJUSTABLE ROLLER	1	73	0900092773	LOCK NUT (M5X0.8)	1
37	0900092737	GEARWHEEL	2				

## Optional Parts



\*\* To get maximum performance and life of your tool, replace the whole set of Parts Kit is highly recommended.