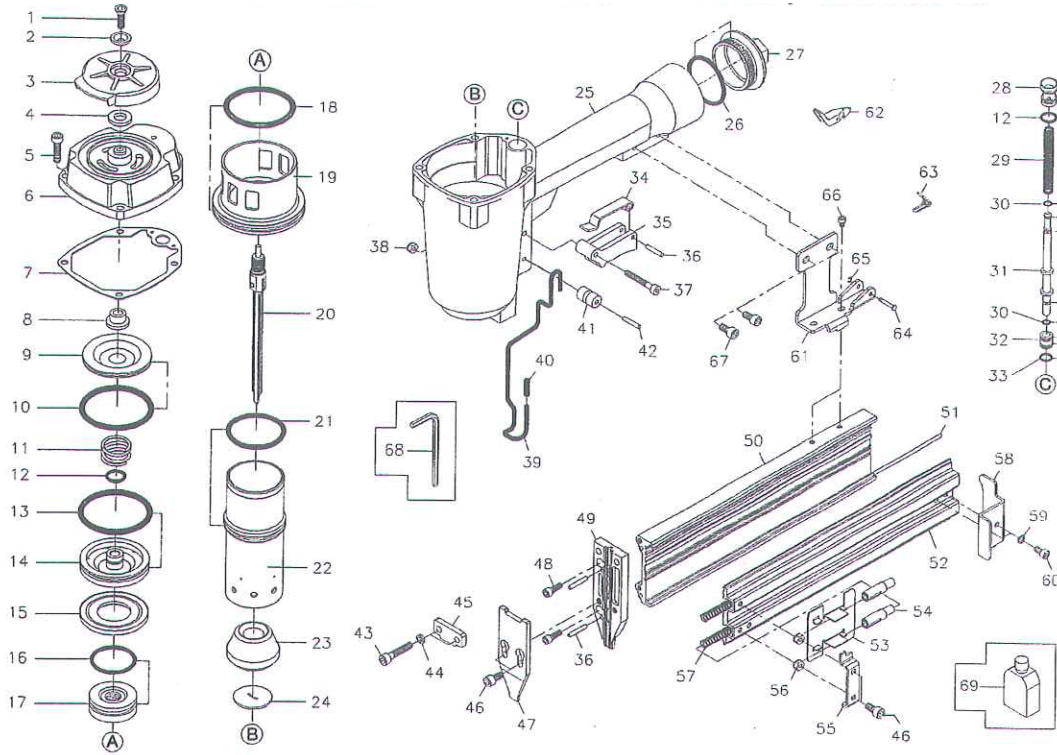


0900 0913 - CLAVADORA NEUMÁTICA 20-50mm



SPECIFICATIONS :

* SHANK THICKNESS ----- 1.4 mm
 * LENGTH ----- 3/4" 2"
 * HOSE SIZE ----- 3/8" ID
 * GAUGE ----- 16

* SHANK WIDTH ----- 1.6 mm
 * AIR PRESSURE ----- 70" 100 PSI
 * AIR INLET ----- 1/4" PT

REF NO.	PARTS NO.	PARTS NO. II	DESCRIPTION	Q'TY	REF NO.	PARTS NO.	PARTS NO. II	DESCRIPTION	Q'TY
1	0900091301E	T3020E-01	BUTTON HD. BOLT (M5x2L)	1	36	0900091336E	T3020E-36	SPRING PIN (Ø3x16L)	3
2	0900091302E	T3020E-02	EXHAUST CAP RING	1	37	0900091337E	T3020E-37	HEX. SOC. HD. BOLT (M4x30L)	1
3	0900091303E	T3020E-03	EXHAUST CAP	1	38	0900091338E	T3020E-38	NUT (M4)	1
4	0900091304E	T3020E-04	SEAL	1	39	0900091339E	T3020E-39	SAFETY	1
5	0900091305E	T3020E-05	HEX. SOC. HD. BOLT (M5x20L)	4	40	0900091340E	T3020E-40	SAFETY SPRING	1
6	0900091306E	T3020E-06	CYLINDER CAP	1	41	0900091341E	T3020E-41	ROLLER	1
7	0900091307E	T3020E-07	CAP SEAL	1	42	0900091342E	T3020E-42	SPRING PIN (Ø3x24L)	1
8	0900091308E	T3020E-08	VALVE STOP	1	43	0900091343E	T3020E-43	HEX. SOC. HD. BOLT (M5x25L)	2
9	0900091309E	T3020E-09	HEAD VALVE CAP	1	44	0900091344E	T3020E-44	SPRING WASHER (5mm)	2
10	0900091310E	T3020E-10	O-RING (d49.5xW2.0)	1	45	0900091345E	T3020E-45	COVER PLATE (A)	1
11	0900091311E	T3020E-11	COMPRESSION SPRING	1	46	0900091346E	T3020E-46	HEX. SOC. HD. BOLT (M5x10L)	4
12	0900091312E	T3020E-12	O-RING (d8.8xW 1.9)	3	47	0900091347E	T3020E-47	COVER PLATE (B)	1
13	0900091313E	T3020E-13	O-RING (d49.1xW2.5)	1	48	0900091348E	T3020E-48	HEX. SOC. HD. BOLT (M4x12L)	2
14	0900091314E	T3020E-14	HEAD VALVE SEAT	1	49	0900091349E	T3020E-49	GUIDE PLADE	1
15	0900091315E	T3020E-15	CYLINDER RING	1	50	0900091350E	T3020E-50	MAGAZINE SEAT	1
16	0900091316E	T3020E-16	O-RING (d33.7xW3.5)	1	51	0900091351E	T3020E-51	BAR	1
17	0900091317E	T3020E-17	MAIN PISTON	1	52	0900091352E	T3020E-52	MAGAZINE CAP	1
18	0900091318E	T3020E-18	O-RING (d64.77xW2.62)	1	53	0900091353E	T3020E-53	PUSHER	1
19	0900091319E	T3020E-19	COLLAR	1	54	0900091354E	T3020E-54	PUSHER PIN	2
20	0900091320E	T3020E-20	DRIVER ASSY.	1	55	0900091355E	T3020E-55	PUSHER STOP	1
21	0900091321E	T3020E-21	O-RING (d42.52xW2.62)	1	56	0900091356E	T3020E-56	NUT (M5)	2
22	0900091322E	T3020E-22	CYLINDER	1	57	0900091357E	T3020E-57	PUSHER SPRING	2
23	0900091323E	T3020E-23	BUMPER	1	58	0900091358E	T3020E-58	STOP PLATE	1
24	0900091324E	T3020E-24	NOZZLE	1	59	0900091359E	T3020E-59	SPRING WASHER (4mm)	2
25	0900091325E	T3020E-25	BODY	1	60	0900091360E	T3020E-60	HEX. SOC. HD. BOLT (M4x16L)	2
26	0900091326E	T3020E-26	O-RING (d36.17xW2.62)	1	61	0900091361E	T3020E-61	SUPPORT	1
27	0900091327E	T3020E-27	END CAP	1	62	0900091362E	T3020E-62	LATCH	1
28	0900091328E	T3020E-28	TRIGGER VALVE CAP	1	63	0900091363E	T3020E-63	LATCH SPRING	1
29	0900091329E	T3020E-29	SPRING	1	64	0900091364E	T3020E-64	LATCH PIN	1
30	0900091330E	T3020E-30	O-RING (d2.8xW1.9)	3	65	0900091365E	T3020E-65	E-RING (E-2.5)	1
31	0900091331E	T3020E-31	TRIGGER VALVE STEM	1	66	0900091366E	T3020E-66	HEX. SOC. HD. BOLT (M4x8L)	2
32	0900091332E	T3020E-32	TRIGGER VALE SEAT	1	67	0900091367E	T3020E-67	HEX. SOC. HD. BOLT (M5x12L)	2
33	0900091333E	T3020E-33	O-RING (d4.8xW1.9)	2	68	0900091368E	T3020E-68	HEX. BAR WRENCH (4mm)	1
34	0900091334E	T3020E-34	CONTACT LEVER	1	69	0900091369E	T3020E-69	OIL BOX	1
35	0900091335E	T3020E-35	TRIGGER	1					

Optional Parts

** To get maximum performance and life of your tool, replace the whole set Parts Kit is highly recommended.

cofan