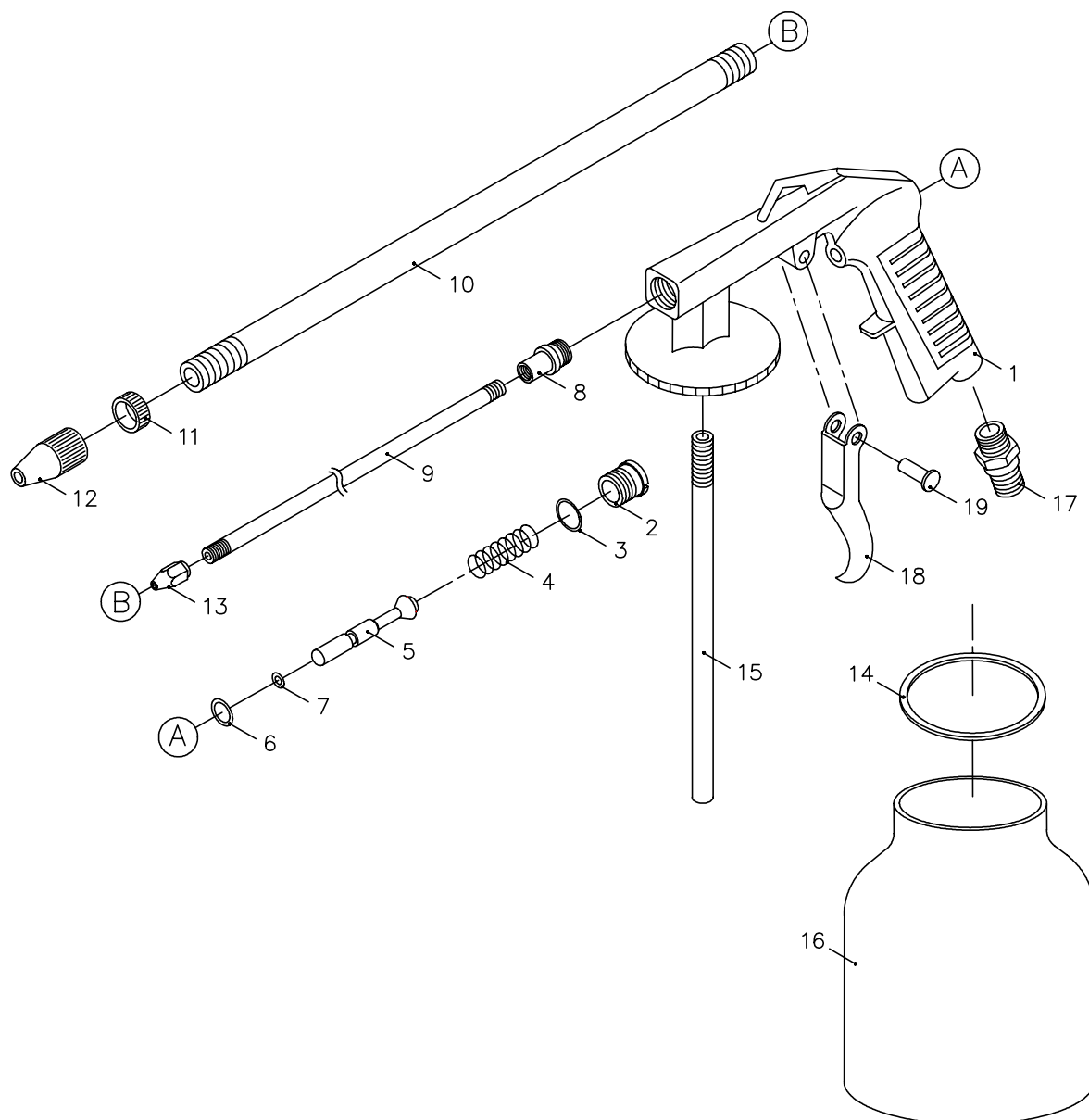


0900 0912 - PISTOLA DE PETROLEAR



SPECIFICATIONS :

* AIR PRESSURE ----- 70 - 110PSI

* CAPACITY OF CUP ----- 0.7L

* FEED TYPE ----- SUCTION

* HOSE SIZE ----- 1/4" ID

REF NO.	PARTS NO.	DESCRIPTION	Q'TY	REF NO.	PARTS NO.	DESCRIPTION	Q'TY
1	0900091201	HOUSING	1	11	0900091211	NUT	1
2	0900091202	THROTTLE VALVE PLUG	1	12	0900091212	FLUID NOZZLE	1
3	0900091203	"O" RING	1	13	0900091213	AIR NOZZLE	1
4	0900091204	SPRING	1	14	0900091214	LID GASKET	1
5	0900091205	VALVE STEM	1	15	0900091215	TUBE	1
6	0900091206	"O" RING	1	16	0900091216	CUP	1
7	0900091207	"O" RING	1	17	0900091217	AIR INLET	1
8	0900091208	ADAPTER	1	18	0900091218	TRIGGER	1
9	0900091209	TUBE	1	19	0900091219	TRIGGER PIN	1
10	0900091210	TUBE	1				

Optional Parts



** To get maximum performance and life of your tool, replace the whole set of Parts Kit is highly recommended.