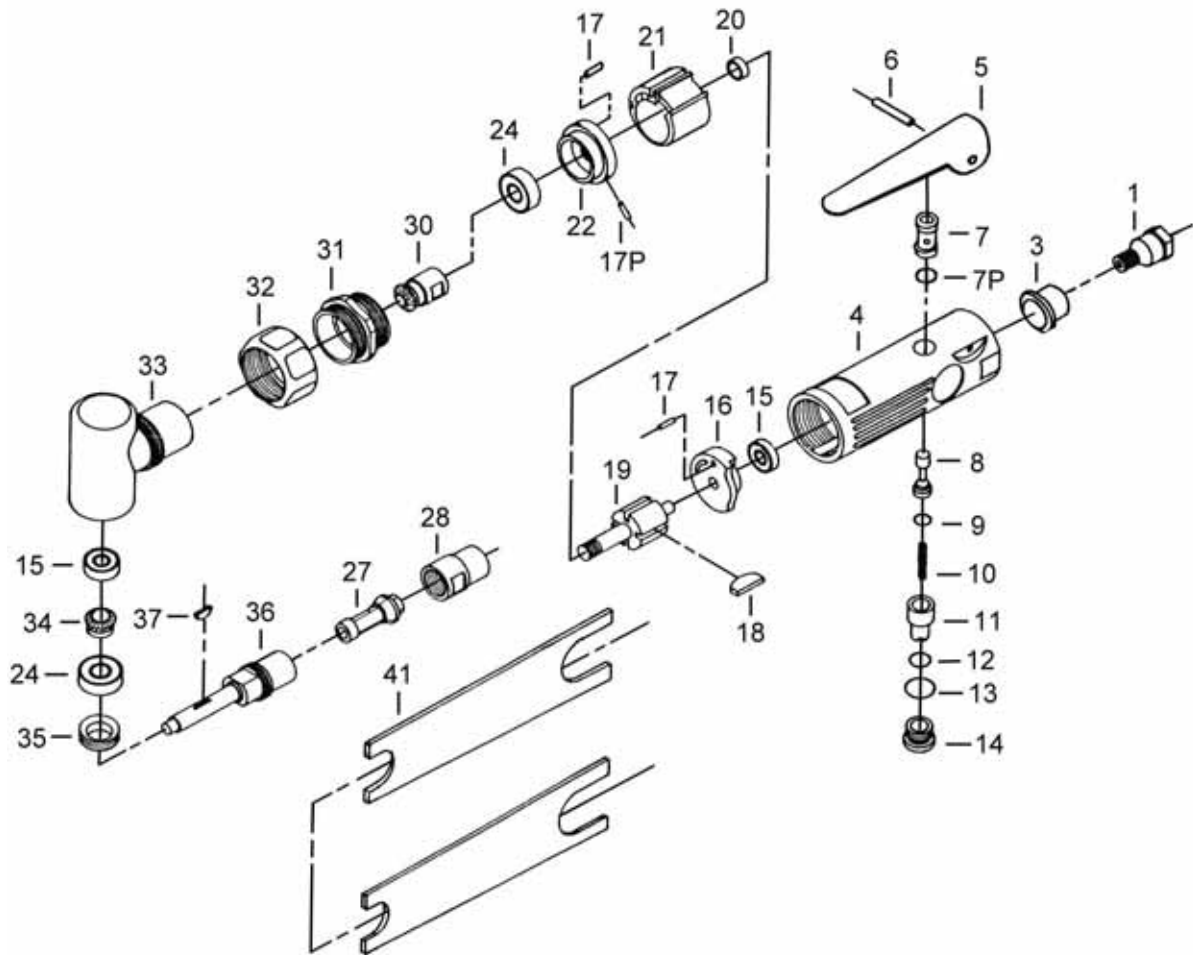


0900 0710 - FRESADORA NEUMÁTICA



SPECIFICATIONS :

* COLLET SIZE ----- 6MM
 * AIR PRESSURE ----- 90 PSI
 * AIR INLET ----- 1/4" PT(NPT)

* FREE SPEED ----- 18,000 RPM
 * HOSE SIZE ----- 3/8" ID

REF NO.	PARTS NO.	DESCRIPTION	Q'TY	REF NO.	PARTS NO.	DESCRIPTION	Q'TY
1	0900071001	INLET BUSHING	1	21	0900071021	CYLINDER	1
3	0900071003	EXHAUST SLEEVE	1	22	0900071022	FRONT END PLATE	1
4	0900071004	MOTOR HOUSING	1	24	0900071024	BALL BEARING (608ZZ)	2
5	0900071005	THROTTLE LEVER	1	27A	0900071027A	6MM COLLET	1
6	0900071006	LEVER PIN (Ø3x22L)	1	##27B	0900071027B	3MM COLLET	1
7	0900071007	VALVE BUSHING	1	28	0900071028	COLLET NUT	1
7P	0900071007P	"O" RING (d8.8xW1.4)	1	30	0900071030	BEVEL GEAR	1
8	0900071008	THROTTLE VALVE	1	31	0900071031	CAP LOCK	1
9	0900071009	"O" RING (d3.8xW1.9)	1	32	0900071032	THREADED CAP	1
10	0900071010	SPRING	1	33	0900071033	ANGLE HOUSING	1
11	0900071011	AIR REGULATOR	1	34	0900071034	BEVEL GEAR	1
12	0900071012	"O" RING (d7.0xW1.8)	1	35	0900071035	CLAMP NUT	1
13	0900071013	"O" RING (d9.8xW1.9)	1	36	0900071036	SPINDLE	1
14	0900071014	VALVE SCREW	1	37	0900071037	KEY	1
15	0900071015	BALL BEARING (625ZZ)	2	41	0900071041	DOUBLE ENDED SPANNER	2
16	0900071016	REAR END PLATE	1	**K01	09000710K01	AIR MOTOR OVERHAUL KIT : (15,16,17,17P,18,20,21,22,24)	1SET
17	0900071017	PIN (Ø2.5x6L)	2	**K02	09000710K02	VALVE OVERHAUL KIT : (5,6,8,9,10,11,12,13,14)	1SET
17P	0900071017P	PIN (Ø2.5x3L)	1	**K03	09000710K03	GEAR OVERHAUL KIT : (30,34)	1SET
18	0900071018	ROTOR BLADE	4				
19	0900071019	ROTOR	1				
20	0900071020	BEARING SPACER	1				

Optional Parts



** To get maximum performance and life of your tool, replace the whole set of Parts Kit is highly recommended.