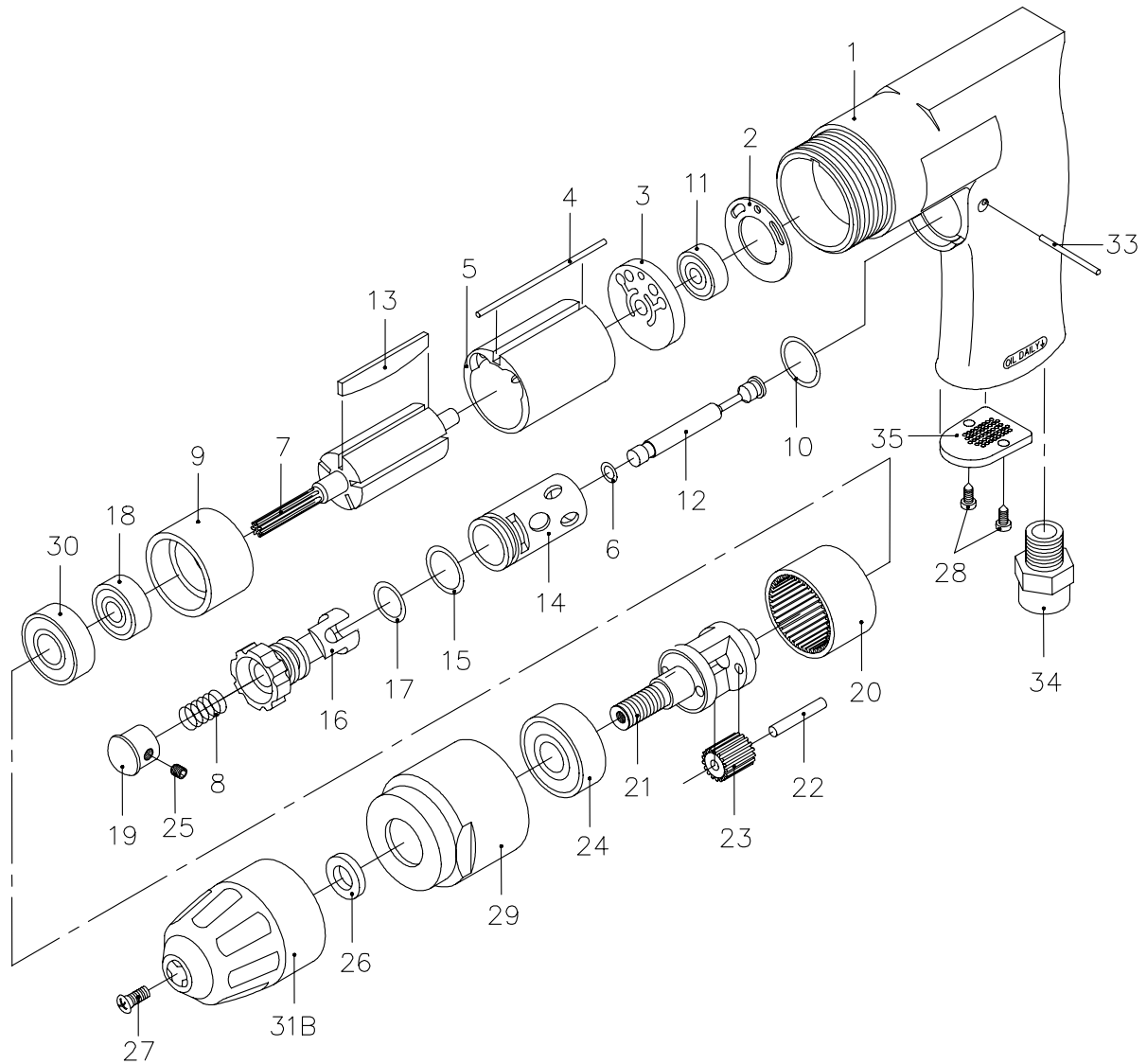


0900 0201 - TALADRO NEUMÁTICO



SPECIFICATIONS :

* CHUCK SIZE ----- 3/8"

* FREE SPEED ----- 2300 RPM

* HOSE SIZE ----- 3/8" ID

* SPINDLE SIZE ----- 3/8"-24 UNF

* AIR PRESSURE ----- 90 PSI

* AIR INLET ----- 1/4" PT(NPT)

REF NO.	PARTS NO.	DESCRIPTION	Q'TY	REF NO.	PARTS NO.	DESCRIPTION	Q'TY
1	0900020101	MOTOR HOUSING	1	19	0900020119	TRIGGER	1
2	0900020102	MOTOR GASKET	1	20	0900020120	INTERNAL GEAR	1
3	0900020103	REAR END PLATE	1	21	0900020121	PLANET LINK SPINDLE	1
4	0900020104	LINER PIN (Ø2.0x56L)	1	22	0900020122	NEEDLE PIN (Ø4x21.8L)	2
5	0900020105	CYLINDER	1	23	0900020123	GEAR	2
6	0900020106	"O" RING (d4.0xW2.0)	1	24	0900020124	BALL BEARING (6201 ZZ)	1
7	0900020107	ROTOR	1	25	0900020125	SET SCREW (M4x4L)	1
8	0900020108	THROTTLE VALVE SPRING	1	26	0900020126	WASHER	1
9	0900020109	FRONT END PLATE	1	27	0900020127	CHUCK SCREW (MLH 5x13L)	1
10	0900020110	"O" RING (d16.0xW2.0)	1	28	0900020128	SELF TAPPING SCREW	2
11	0900020111	BALL BEARING (626 ZZ)	1	29	0900020129	CLAMP NUT	1
12	0900020112	THROTTLE VALVE	1	30	0900020130	BALL BEARING (6001 ZZ)	1
13	0900020113	ROTOR BLADE	5	31B	0900020131B	3/8" KEYLESS CHUCK	1
14	0900020114	THROTTLE VALVE BUSHING	1	32	0900020132	KEY	1
15	0900020115	"O" RING (d15.0xW2.0)	1	33	0900020133	NEEDLE PIN (Ø2.0x26L)	1
16	0900020116	REVERSE VALVE	1	34	0900020134	AIR INLET	1
17	0900020117	"O" RING (d11.0xW2.5)	1	35	0900020135	EXHAUST DIFFUSER	1
18	0900020118	BALL BEARING (608 ZZ)	1				

Optional parts



** To get maximum performance and life of your tool, replace the whole set of Parts Kit is highly recommended.