

FICHA TÉCNICA

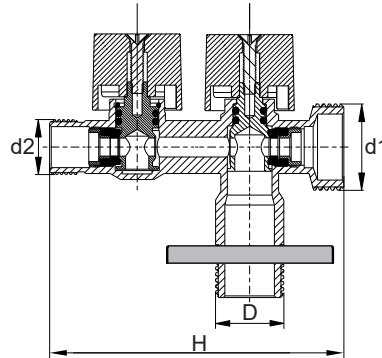
10/09/2020

MODELO DOBLE SALIDA

Ref: 65007011

VÁLVULA ESCUADRA 1/2" x 3/4" x 3/8" DOBLE SALIDA

MEDIDAS / DIMENSIONS



| REF. | D1 | D2 | d | NUT | H |
|----------|------|------|------|-----|----|
| 65007011 | 1/2" | 3/4" | 3/8" | NO | 89 |



CARACTERÍSTICAS TÉCNICAS / MAIN CONSTRUCTIVE FEATURES

Cierre y apertura ¼ de vuelta
 Dos salidas independientes
 PN16
 Rosca de entrada gas(BSP)
 según ISO 228/1
 Cuerpo compacto de una sola pieza
 Eje interior de latón con junta EPDM

Closing and opening ¼ turn
 Two independent outlet
 PN16
 Inlet thread gas(BSP) according
 to ISO 228/1
 One-piece compact body
 Brass stem and EPDM join

DESPIECE / COMPONENTS

| Nº | Cant. | Descripción producto | Materia prima |
|----|-------|----------------------------------|------------------------------|
| 1 | 1 | Cuerpo / Body | CW617N |
| 2 | 1 | Eje / Stem | CW617N |
| 3 | 2 | Juntas tóricas / O-Ring | NBR |
| 4 | 1 | Mando / Handle | ABS |
| 5 | 1 | Tornillo / Screw M4x15.5 | Acero inox / Stainless steel |
| 6 | 1 | Asiento / Seat | NBR |
| 7 | 1 | Pinza sujeción / Supporting clip | CW617N |
| 8 | 1 | Eje / Stem | CW617N |
| 9 | 2 | Juntas tóricas / O-Ring | NBR |
| 10 | 1 | Mando / Handle | ABS |
| 11 | 1 | Tornillo / Screw M4x15.5 | Acero inox / Stainless steel |
| 12 | 1 | Asiento / Seat | NBR |
| 13 | 1 | Pinza sujeción / Supporting clip | CW617N |
| 14 | 1 | Embellecedor / Rosette | Acero inox / Stainless steel |

