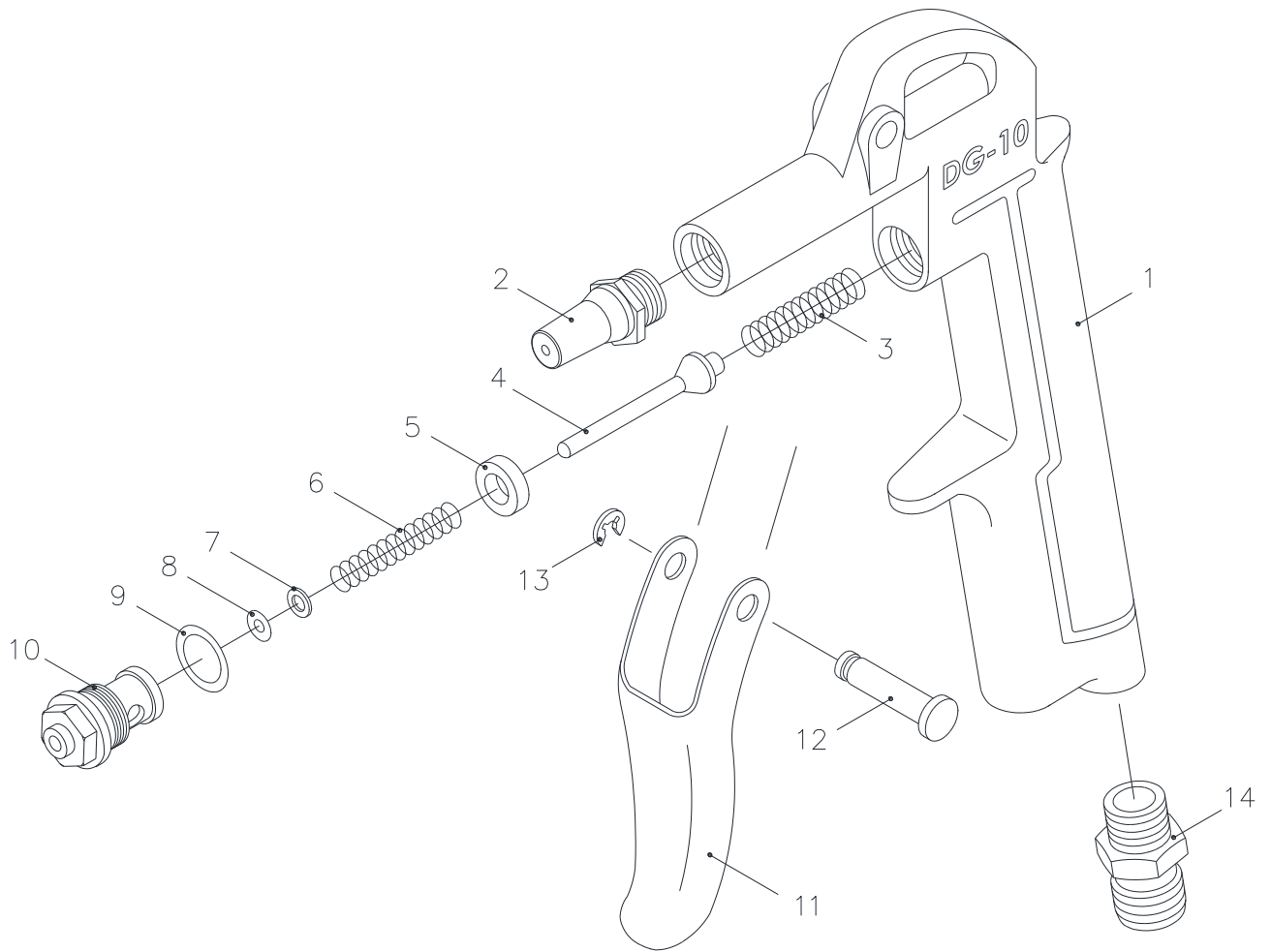


# AIR DUSTER / AA-3011X



**SPECIFICATIONS :**

\* MAX. AIR PRESSURE ----- 140 PSI  
 \* HOSE SIZE ----- 3/8" ID

\* NOZZLE SIZE ----- 2 mm  
 \* AIR INLET ----- 1/4-PF

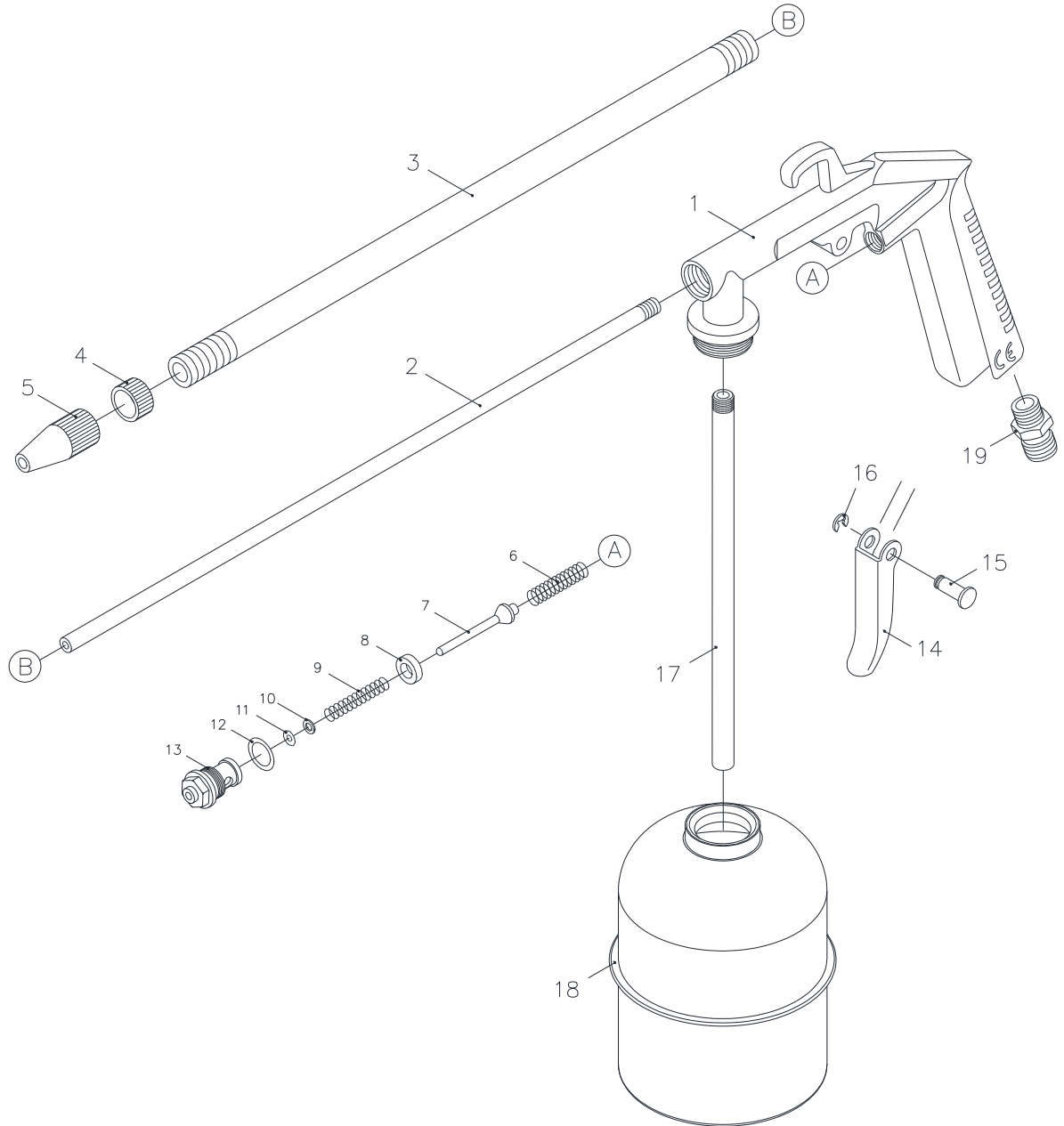
REF NO.	PARTS NO.	DESCRIPTION	Q'TY	REF NO.	PARTS NO.	DESCRIPTION	Q'TY
1	A3011XA-01	HOUSING	1	8	A3011XA-08	"O" RING	1
2	A3011XA-02	NOZZLE	1	9	A3011XA-09	"O" RING	1
3	A3011XA-03	SPRING	1	10	A3011XA-10	THROTTLE VALVE	1
4	A3011XA-04	VALVE STEM	1	11	A3011XA-11	TRIGGER	1
5	A3011XA-05	VALVE SEAT	1	12	A3011XA-12	TRIGGER PIN	1
6	A3011XA-06	SPRING	1	13	A3011XA-13	RETAINER	1
7	A3011XA-07	WASHER		14	A3011XA-14	AIR INLET	1

## Optional Parts

**2102001**

\*\* To get maximum performance and life of your tool, replace the whole set of Parts Kit is highly recommended.

# AIR ENGINE CLEANING GUN / AA-5000X



**SPECIFICATIONS :**

\* AIR PRESSURE ----- 70 - 110PSI  
 \* FEED TYPE ----- SUCTION

\* CAPACITY OF CUP ----- 0.7L  
 \* HOSE SIZE ----- 3/8" ID

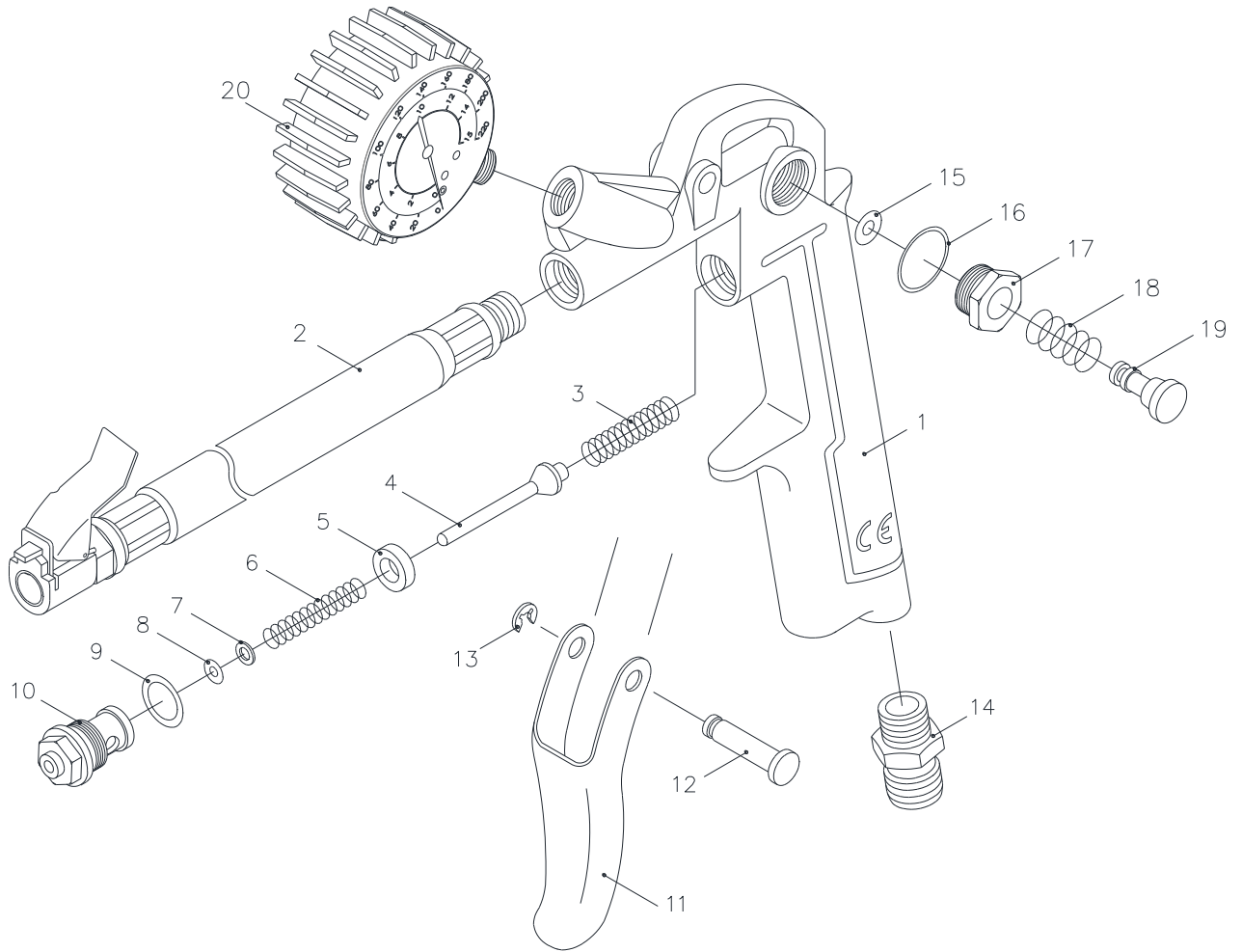
REF NO.	PARTS NO.	DESCRIPTION	Q'TY	REF NO.	PARTS NO.	DESCRIPTION	Q'TY
1	A5000XA-01	HOUSING	1	11	A5000XA-11	"O" RING	1
2	A5000XA-02	TUBE	1	12	A5000XA-12	"O" RING	1
3	A5000XA-03	TUBE	1	13	A5000XA-13	THROTTLE VALVE	1
4	A5000XA-04	NUT	1	14	A5000XA-14	TRIGGER	1
5	A5000XA-05	NOZZLE	1	15	A5000XA-15	TRIGGER PIN	1
6	A5000XA-06	SPRING	1	16	A5000XA-16	RETAINER	1
7	A5000XA-07	VALVE STEM	1	17	A5000XA-17	TUBE	1
8	A5000XA-08	VALVE SEAT	1	18	A5000XA-18	CUP	1
9	A5000XA-09	SPRING	1	19	A5000XA-19	AIR INLET	1
10	A5000XA-10	WASHER					

## Optional Parts

**2102001**

\*\* To get maximum performance and life of your tool, replace the whole set of Parts Kit is highly recommended.

# 3 FUNCTION TYRE INFLATER / AA-6000X



## SPECIFICATIONS :

\* MAX..AIR PRESSURE ----- 200PSI

\* HOSE SIZE ----- 1/4" ID

\* AIR INLET ----- 1/4-PF

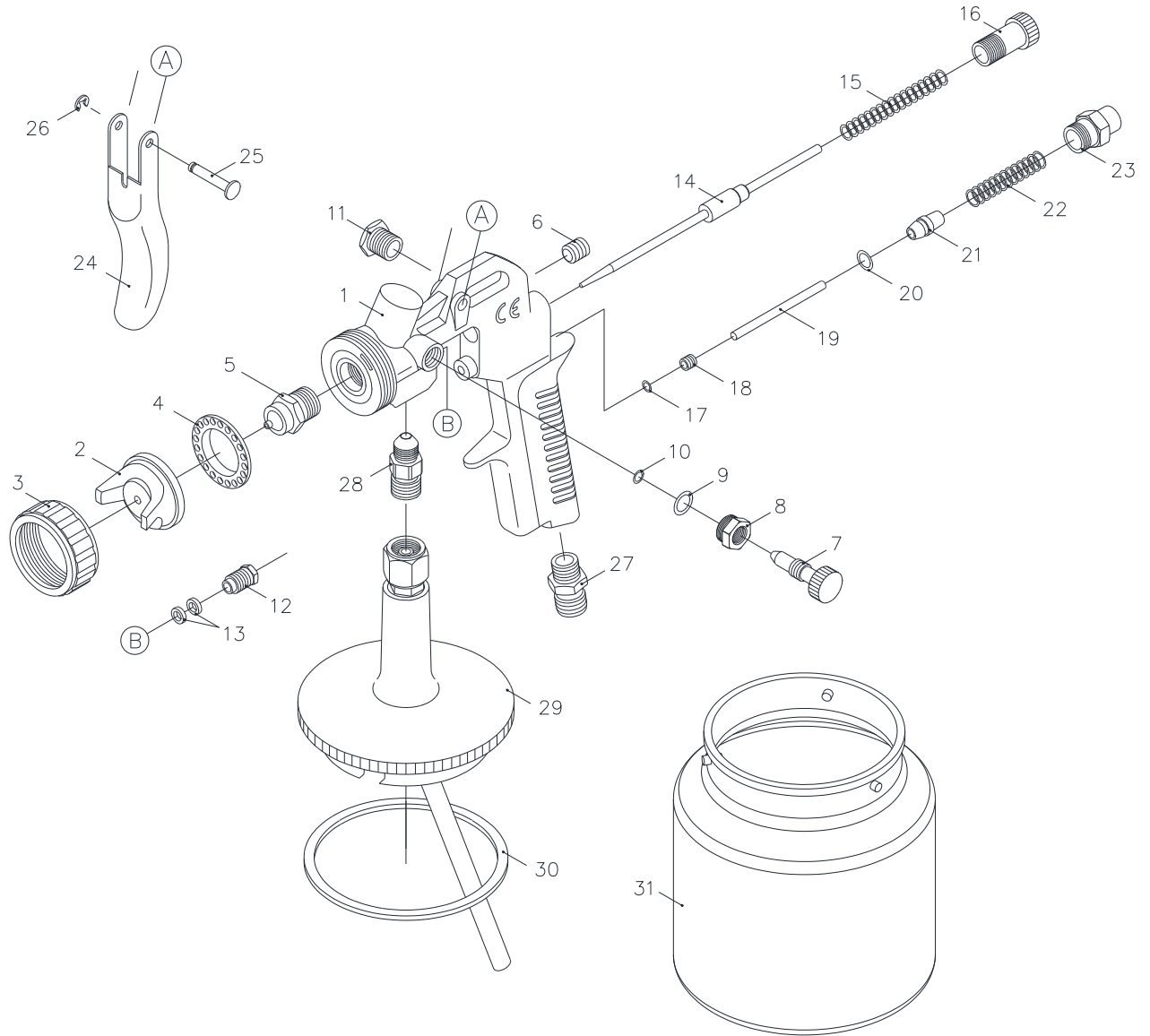
REF NO.	PARTS NO.	DESCRIPTION	Q'TY	REF NO.	PARTS NO.	DESCRIPTION	Q'TY
1	A6000XA-01	HOUSING	1	11	A6000XA-11	TRIGGER	1
2	A6000XA-02	TYRE CHUCK ASSEMBLY	1	12	A6000XA-12	TRIGGER PIN	1
3	A6000XA-03	SPRING	1	13	A6000XA-13	RETAINER	1
4	A6000XA-04	VALVE STEM	1	14	A6000XA-14	AIR INLET	1
5	A6000XA-05	VALVE SEAT	1	15	A6000XA-15	"O" RING	1
6	A6000XA-06	SPRING	1	16	A6000XA-16	"O" RING	1
7	A6000XA-07	WASHER		17	A6000XA-17	BUSHING	1
8	A6000XA-08	"O" RING	1	18	A6000XA-18	SPRING	1
9	A6000XA-09	"O" RING	1	19	A6000XA-19	PUSHER	1
10	A6000XA-10	THROTTLE VALVE	1	20	A6000XA-20	GAUGE	1

## Optional Parts

**2102001**

\*\* To get maximum performance and life of your tool, replace the whole set of Parts Kit is highly recommended.

# AIR SPRAY GUN / AS-1025X



**SPECIFICATIONS :**

\* NOZZLE SIZE ----- 1.5 mm  
 \* FEED TYPE ----- SUCTION  
 \* HOSE SIZE ----- 3/8" ID

\* CAPACITY OF CUP ----- 0.7 L  
 \* AIR PRESSURE ----- 50-70 PSI

REF NO.	PARTS NO.	DESCRIPTION	Q'TY	REF NO.	PARTS NO.	DESCRIPTION	Q'TY
1	S1025XA-01	BODY	1	17	S1025XA-17	"O" RING	1
2	S1025XA-02	AIR CAP	1	18	S1025XA-18	SCREW	1
3	S1025XA-03	RETAINING RING	1	19	S1025XA-19	VALVE STEM	1
4	S1025XA-04	BAFFLE	1	20	S1025XA-20	"O" RING	1
5	S1025XA-05	NOZZLE	1	21	S1025XA-21	VALVE SHAFT	1
6	S1025XA-06	SCREW	1	22	S1025XA-22	VALVE SPRING	1
7	S1025XA-07	ADJUSTING SCREW	1	23	S1025XA-23	FIXING NUT	1
8	S1025XA-08	NUT	1	24	S1025XA-24	TRIGGER	1
9	S1025XA-09	"O" RING	1	25	S1025XA-25	TRIGGER PIN	1
10	S1025XA-10	"O" RING	1	26	S1025XA-26	RETAINER	1
11	S1025XA-11	SCREW	1	27	S1025XA-27	AIR INLET	1
12	S1025XA-12	PACKING SCREW	1	28	S1025XA-28	FLUID CONNECTION	1
13	S1025XA-13	PACKING	2	29	S1025XA-29	LID	1
14	S1025XA-14	FLUID NEEDLE	1	30	S1025XA-30	LID GASKET	1
15	S1025XA-15	SPRING	1	31	S1025XA-31	CUP	1
16	S1025XA-16	ADJUSTING KNOB	1				

## Optional Parts

**2102001**

\*\* To get maximum performance and life of your tool, replace the whole set of Parts Kit is highly recommended.