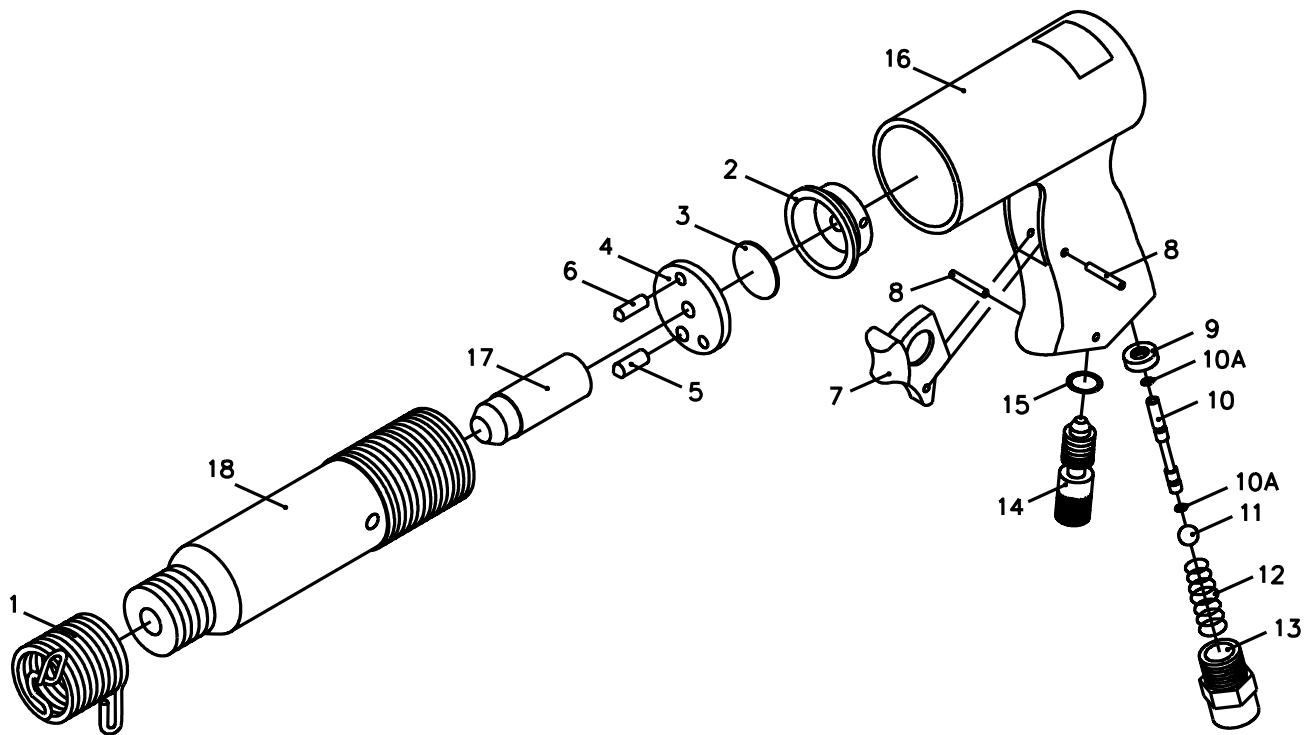


0900 0401 - ESCARPA NEUMÁTICA



SPECIFICATIONS :

* BLOW PER MINUTE ----- 3000
 * BORE DIAMETER ----- 3/4"
 * AIR PRESSURE ----- 90 PSI
 * AIR INLET ----- 1/4" PT(NPT)

* CHISEL SHANK ----- 0.401"
 * PISTON STROKE LENGTH ----- 2-5/8"
 * HOSE SIZE ----- 3/8" ID

REF NO.	PARTS NO.	DESCRIPTION	Q'TY	REF NO.	PARTS NO.	DESCRIPTION	Q'TY
1	0900040101	RETAINER SPRING	1	12	0900040112	SPRING	1
2	0900040102	UPPER VALVE SEAT	1	13	0900040113	INTAKE BUSHING	1
3	0900040103	VALVE DISC	1	14	0900040114	REGULATOR	1
4	0900040104	LOWER VALVE SEAT	1	15	0900040115	"O" RING (d9.8xW1.9)	1
5	0900040105	DOWEL PIN (L)	1	16	0900040116	HANDLE	1
6	0900040106	DOWEL PIN (S)	1	17	0900040117	PISTON	1
7	0900040107	TRIGGER	1	18	0900040118	CYLINDER - ROUND	1
8	0900040108	DOWEL PIN (Ø3x16.5L)	2	**K01	09000401K01	VALVE OVERHAUL KIT : (2,3,4,5,6)	1SET
9	0900040109	BALL SEAT	1	**K02	09000401K02	THROTTLE VALVE KIT : (9,10,11,12,13)	1SET
10	0900040110	PUSH ROD	1				
10A	0900040110A	"O" RING (d2.0xW1.5)	2				
11	0900040111	STEEL BALL (3/8")	1				

Optional Parts



** To get maximum performance and life of your tool, replace the whole set of Parts Kit is highly recommended.