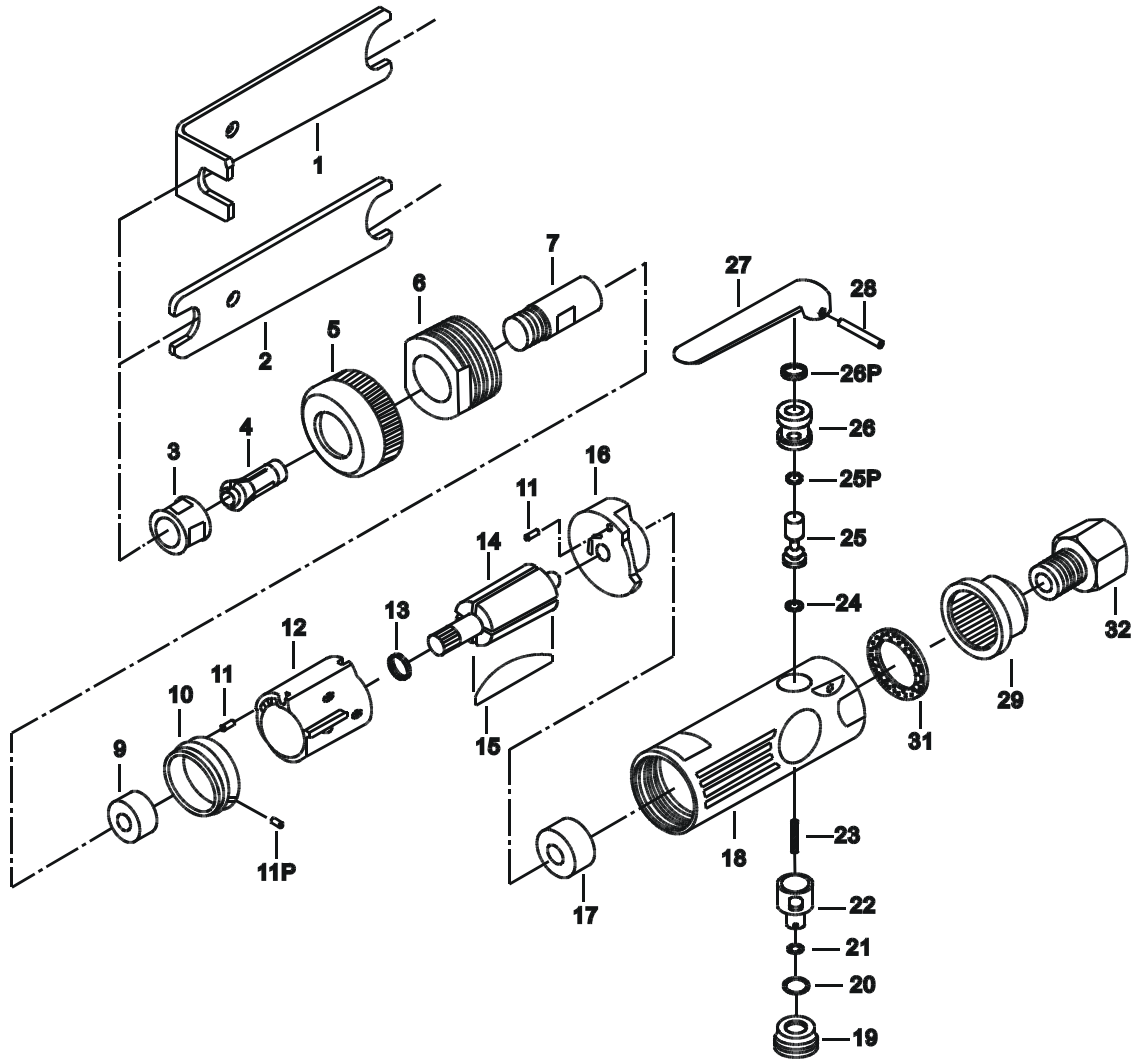


0900 0701 - FRESADORA NEUMÁTICA RECTA



SPECIFICATIONS :

* COLLET SIZE ----- 6MM

* AIR PRESSURE ----- 90 PSI

* AIR INLET ----- 1/4" PT(NPT)

* FREE SPEED ----- 22,000 RPM

* HOSE SIZE ----- 3/8" ID

REF NO.	PARTS NO.	DESCRIPTION	Q'TY	REF NO.	PARTS NO.	DESCRIPTION	Q'TY
1	0900070101	ANGLE ENDED SPANNER	1	19	0900070119	VALVE SCREW	1
2	0900070102	DOUBLE ENDED SPANNER	1	20	0900070120	"O" RING (d11.0xW2.5)	1
3	0900070103	COLLET NUT	1	21	0900070121	"O" RING (d7.0xW1.8)	1
##4A	0900070104A	6MM COLLET	1	22	0900070122	AIR REGULATOR	1
##4B	0900070104B	3MM COLLET	1	23	0900070123	SPRING	1
5	0900070105	HOUSING CAP	1	24	0900070124	"O" RING (d5.0xW2.0)	1
6	0900070106	RETAINER	1	25	0900070125	THROTTLE VALVE	1
7	0900070107	SPINDLE	1	25P	0900070125P	"O" RING (d5.0xW1.5)	1
9	0900070109	BALL BEARING (6000 ZZ)	1	26	0900070126	VALVE BUSHING	1
10	0900070110	FRONT END PLATE	1	26P	0900070126P	"O" RING (d8.8xW1.4)	1
11	0900070111	PIN (Ø2.5x6L)	2	27	0900070127	THROTTLE LEVER	1
11P	0900070111P	PIN (Ø2.5x3L)	1	28	0900070128	THROTTLE PIN (Ø3x22)	1
12	0900070112	CYLINDER	1	29	0900070129	EXHAUST DEFLECTOR	1
13	0900070113	SPACER	1	31	0900070131	MUFFLER	1
14	0900070114	ROTOR	1	32	0900070132	INLET BUSHING	1
15	0900070115	ROTOR BLADE	4	**K01	09000701K01	AIR MOTOR OVERHAUL KIT : (9,10,15,16,17)	1SET
16	0900070116	REAR END PLATE	1	**K02	09000701K02	VALVE OVERHAUL KIT : (20,21,23,24,25P,26P)	1SET
17	0900070117	BALL BEARING (626 ZZ)	1				
18	0900070118	HOUSING	1				

Optional Parts



** To get maximum performance and life of your tool, replace the whole set Parts Kit is highly recommended.