



DESPIECE 71001011



Categoría productos: Motobomba
Grupo producto: GASOLINA 2T
Potencia: 2Cv

Versión: 40.2CC





FIGURA 1

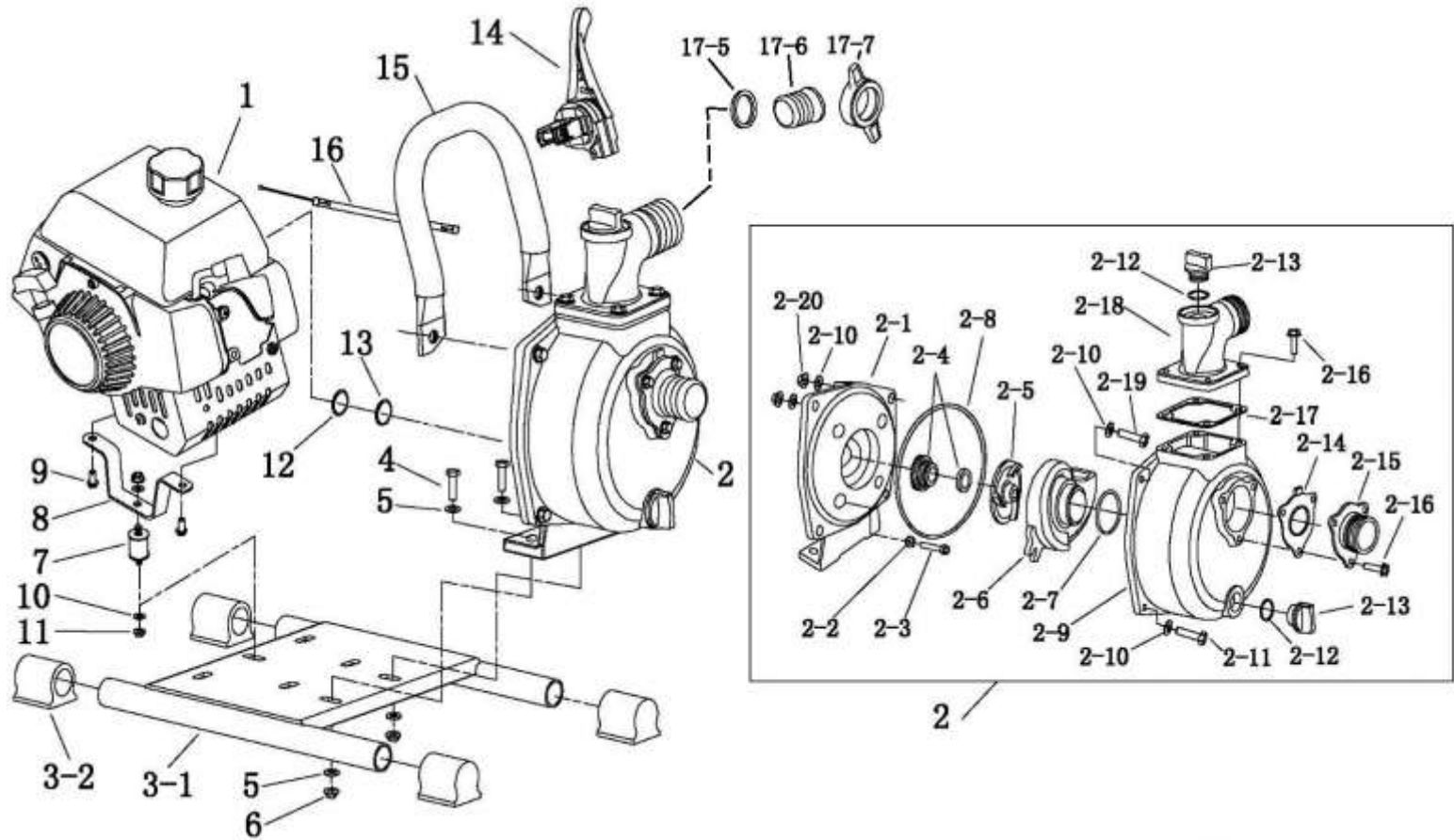




FIG. 1 NEVADA

Nº	Ref. Cofan	Nº Ref. Rec	Descripción	English name	Uds.
1	71001011.001	1E40F-6	MOTOR	GASOLINE ENGINE	1
2	71001011.002	QGZ40-35	BOMBA COMPLETA	PUMP ASSEMBLY	1
2-1	71001011.003	QGZ40-35-7	TAPA BOMBA	PUMP BASE	1
2-2	71001011.004	QGZ40-35-8	ARANDELA 6.5	WASHER 6.5	4
2-3	71001011.005	GB70.1	TORNILLO M6X40	SCREW M6×40	4
2-4	71001011.006	QGZ40-35.4	RETEN AGUA	WATER SEAL	1
2-5	71001011.007	QGZ40-35-6A	TURBINA	IMPELLER	1
2-6	71001011.008	QGZ40-35-4A	DIFUSOR	VOLUTE	1
2-7	71001011.009	QGZ40-35-11	ANILLO	O-RING	1
2-8	71001011.010	QGZ40-35-12	ANILLO	O-RING	1
2-9	71001011.011	QGZ40-35-2	CARCASA BOMBA	PUMP CASING	1
2-10	71001011.012	GB/T97.1	JUNTA	FLAT MAT 8	6
2-11	71001011.013	GB/T5783	TORNILLO M8X20	BOLT ASSEMBLY M8×20	2
2-12	71001011.014	QGZ40-35-10	ANILLO	O-RING	2
2-13	71001011.015	QGZ40-35-9	TAPON	PLUG	2
2-14	71001011.016	QGZ40-35.2	JUNTA VALVULA	FLAP VALVE	1
2-15	71001011.017	QGZ40-35-1	RACOR ENTRADA	INLET FLANGE	1
2-16	71001011.018	GB/T9074.13	TORNILLO M8X20	BOLT ASSEMBLY M8×20	7
2-17	71001011.019	QGZ40-35-14	JUNTA SALIDA CODO	OUTLET ELBOW GASKET	1
2-18	71001011.020	QGZ40-35-13	CODO ENTRADA	OUTLER ELBOW	1
2-19	71001011.021	GB/T5789	TORNILLO M8X30	BOLT ASSEMBLY M8×30	2
2-20	71001011.022	GB/T6177	TUERCA M8	LOCK NUT M8	2
3	71001011.023	QGZ25-30FA.1	SOPORTE COMPLETO	PUMP BASE ASSEMBLY	1
3-1	71001011.024	QGZ25-30FA.1.1	SOPORTE BOMBA	PUMP BASE	1
3-2	71001011.025	QGZ25-30EN.1-1	PIE GOMA	RUBBER SLEEVE	4
4	71001011.026	GB/T5783	TORNILLO M8X25	BOLT ASSEMBLY M8×25	2
5	71001011.027	GB/T97.1	ARANDELA 8	FLAT MAT 8	4
6	71001011.028	GB/T6177	TUERCA M8	LOCKNUT M8	2
7	71001011.029	QGZ25-30	AMORTIGUADOR	RUBBER COLUMN	1
8	71001011.030	QGZ25-30A-2	SOPORTE BASE	RUBBER COLUMN BRACKET	1
9	71001011.031	GB/T9074.13	TORNILLO M6X16	BOLT ASSEMBLY M6×16	2
10	71001011.032	GB/T97.1	JUNTA 6	FLAT MAT 6	2
11	71001011.033	GB/T6177	TUERCA M6	LOCK NUT M6	2
12	71001011.034	QGZ40-35-15	PIEZA AJUSTE A	ADJUSTING SHIM A	1
13	71001011.035	QGZ40-35-16	PIEZA AJUSTE B	ADJUSTING SHIM B	1
14	71001011.036	QGZ25-30FN.4	CONTROL ACELERADOR	THROTTLE CONTROL	1
15	71001011.037	QGZ40-35FN-1	ASIDERO	HANDLE	1
16	71001011.038	QGZ25-30-1E40F-6	CABLE ACELERADOR	THROTTLE CABLE	1
17-5	71001011.039	QGZ40-35.11-2	JUNTA RETEN	SEALING GASKET	2
17-6	71001011.040	QGZ40-35.11-3	UNION MANGUERA	WATER PIPE JOINT	2
17-7	71001011.041	QGZ40-35.11-1	ROSCA CIERRE	LOCK NUT	2

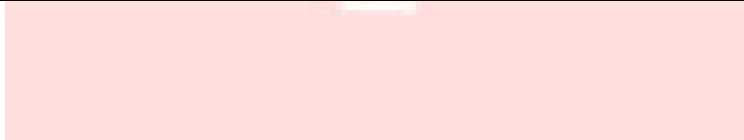




FIGURA 2

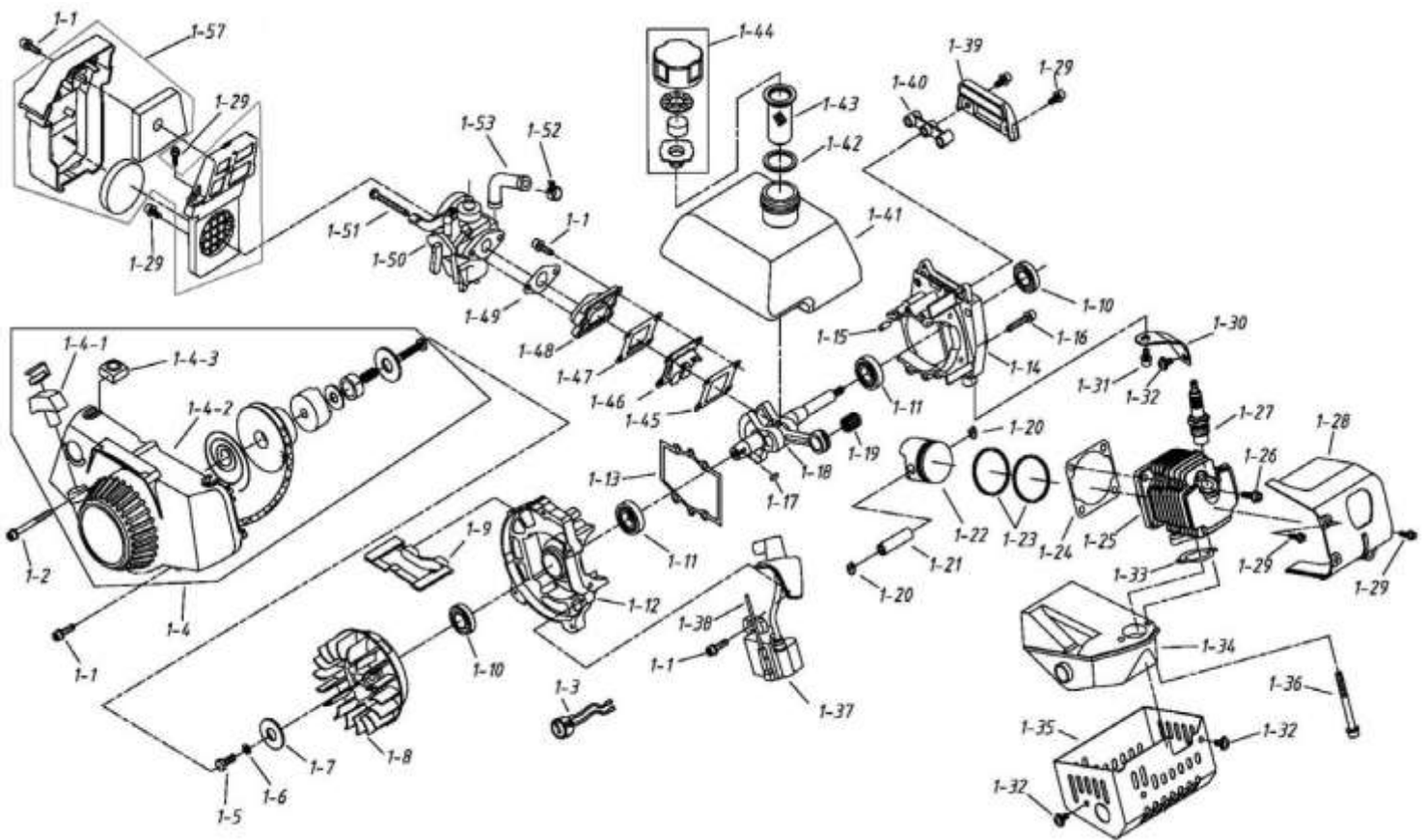




FIG. 2 NEVADA

Nº	Ref. Cofan	Nº Ref. Rec	Descripción	English name	Uds.
1-1	71001011.042	GB/T9074.1	TORNILLO M5X20	BOLT ASSEMBLY M5×20	9
1-2	71001011.043	GB/T9074.1	TORNILLO M5X20	BOLT ASSEMBLY M5×50	1
1-3	71001011.044	QGZ25-30.1	INTERRUPTOR PARE	STOP SWITCH	1
1-4	71001011.045	1E40F-6.6.1-B	ARRANCADOR BLUE COMPLETO	BLUE STARTER	1
1-4-1	71001011.046	1E40FP-3Z.4-2	POMO ARRANQUE	STARTER HANDLE	1
1-4-2	71001011.047	1E40F-6.6.1.1	CASCASA ARRANQUE	STARTER HOUSING	1
1-4-3	71001011.048	GB/T39	TUERCA M5	SQUARE NUTS M5	2
1-5	71001011.049	GB/T5783	TORNILLO M6X16	BOLT M6X16	1
1-6	71001011.050	GB/T93	ARANDELA MUELLE 6	SPRING WASHERS 6	1
1-7	71001011.051	GB/T96.1	ARANDELA 6	BIG WASHER 6	1
1-8	71001011.052	1E40F-6A-1	VOLANTE MAGNETICO	MAGNETO ROTOR	1
1-9	71001011.053	1E40F-6A-14	ALMOHADILLA GOMA	FUEL TANK RUBBER PAD	1
1-10	71001011.054	1E40FP-3Z-11	RETEN 15X25X7	SEAL 15X25X7	2
1-11	71001011.055	GB/T2766202/P5	COJINETE	BEARING	2
1-12	71001011.056	1E40F-6.4.1-1	SEMI CARTER	SECOND HALF CRANKCASE	1
1-13	71001011.057	1E40F-6.4.1-2	JUNTA CARTER	CRANKCASE GASKET	1
1-14	71001011.058	1E40F-6.4.1-3	SEMI CARTER	FIRST HALF CRANKCASE	1
1-15	71001011.059	GB/T119	PASADOR B5X12	PIN B5X12	2
1-16	71001011.060	GB/T9074.1	TORNILLO M5X30	BOLT ASSEMBLY M5X30	4
1-17	71001011.061	1E40FP-3Z3-1	CHAVETA	KEY	1
1-18	71001011.062	1E40F-6.3.1-Q	CIGÜEÑAL	CRANK SHAFT	1
1-19	71001011.063	1E40FP.6-2	COJINETE	NEEDLE BEARING	1
1-20	71001011.064	1E40F-03.02.01	FRENILLO	PISTON PIN CIRCLIP	2
1-21	71001011.065	1E46FP.6-3	PASADOR BULON	PISTON PIN	1
1-22	71001011.066	1E40F-6.3-1	PISTON	PISTON	1
1-23	71001011.067	1E40FP-3Z3-5	SEGMENTO	PISTON RING	2
1-24	71001011.068	1E40F-6-2	JUNTA CILINDRO	CYLINDER GASKET	1
1-25	71001011.069	1E40F-6-3	CILINDRO	CYLINDER	1
1-26	71001011.070	GB/T9074.1	TORNILLO M6X20	BOLT ASSEMBLY M6×20	4
1-27	71001011.071	7199240010	BUJIA 2T	SPARK PLUG 2T	1

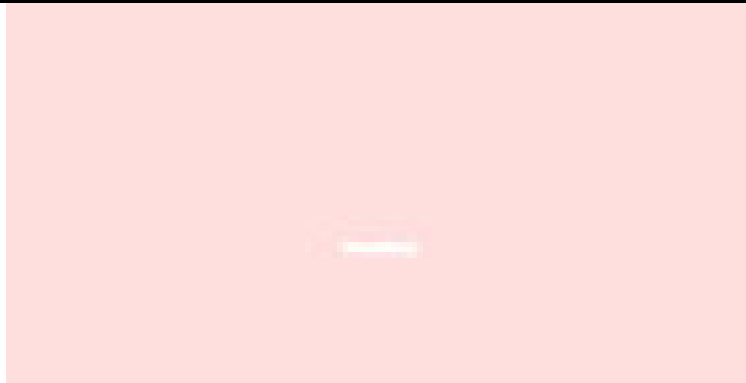




FIG. 2 NEVADA

Nº	Ref. Cofan	Nº Ref. Rec	Descripción	English name	Uds.
1-28	71001011.072	1E40F-6.2	TAPA CILINDRO	CYLINDER COVER	1
1-29	71001011.073	GB/T9074.1	TORNILLO M5X14	BOLT ASSEMBLY M5X14	7
1-30	71001011.074	1E40F-6-11	PLACA FIJACION	FIXED CONNECTION PLATE	1
1-31	71001011.075	GB/T9074.1	TORNILLO M6X12	BOLT ASSEMBLY M6X12	1
1-32	71001011.076	GB/T9074.4	TORNILLO M5X10	SCREW M5X10	3
1-33	71001011.077	1E40F-6-9	JUNTA ESCAPE	MUFFLER GASKET	1
1-34	71001011.078	1E40F-6.12	ESCAPE	MUFFLER	1
1-35	71001011.079	1E40F-6-10	TAPA ESCAPE	MUFFLER COVER	1
1-36	71001011.080	GB/T9074.1	TORNILLO M6X60	BOLT ASSEMBLY M6x60	2
1-37	71001011.081	1E40F-6A-2	ELECTRONICO	MAGNETIC MOTOR STARTOR	1
1-38	71001011.082	1E40F-6A	CABLE BOBINA	CORD. COMP.	1
1-39	71001011.083	1E40F-6A-11	SOPORTE DEPOSITO	FUEL TANK BRACKET	1
1-40	71001011.084	1E40F-6A14	SOPORTE GOMA	BRACKET RUBBER PAD	1
1-41	71001011.085	1E40F-6A-15	DEPOSITO GASOLINA	FUEL TANK	1
1-42	71001011.086	BG305.10-2	JUNTA FILTRO ACEITE	OIL FILTER GASKET	1
1-43	71001011.087	BG305.10.1	FILTRO ACEITE	OIL FILTER ASSEMBLY	1
1-44	71001011.088	3WF-18AC	TAPON GASOLINA	TANK COVER ASSY	1
1-45	71001011.089	1E40F-6.4-1	JUNTA VALVULA ADMISION	INTAKE VALVE PAD	1
1-46	71001011.090	1E40F-6.4.3	VALVULA ADMISION	INTAKE VALVE ASSEMBLY	1
1-47	71001011.091	1E40F-6.4-2	JUNTA EXTERIOR VALVULA ADMISION	INTAKE VALVE OUTER PAD	1
1-48	71001011.092	1E40F-6.4.2	CUELLO ADMISION	ADMITTING PIPE	1
1-49	71001011.093	1E40F-6-8	JUNTA CARBURADOR	CARBURETOR GASKET	1
1-50	71001011.094	1E40F-6.10	CARBURADOR	CARBURETOR	1
1-51	71001011.095	GB/T9074.4	TORNILLO M5X55	SCREW M5X55	2
1-52	71001011.096	BG415-8	ABRAZADERA TUBO ACEITE	OIL PIPE CARD	1
1-53	71001011.097	1E40F-6A-12	TUBO ENTRADA	INLET PIPE	1
1-57	71001011.098	1E40F-6.8-1	CAJA FILTRO AIRE	CLEANER OUTSIDE COVER	1

