



DESPIECE 71001031



Categoría productos: Motoazada
Grupo producto: GASOLINA 4T
Potencia: 5.09cv

Versión: 196CC





FIGURA 1

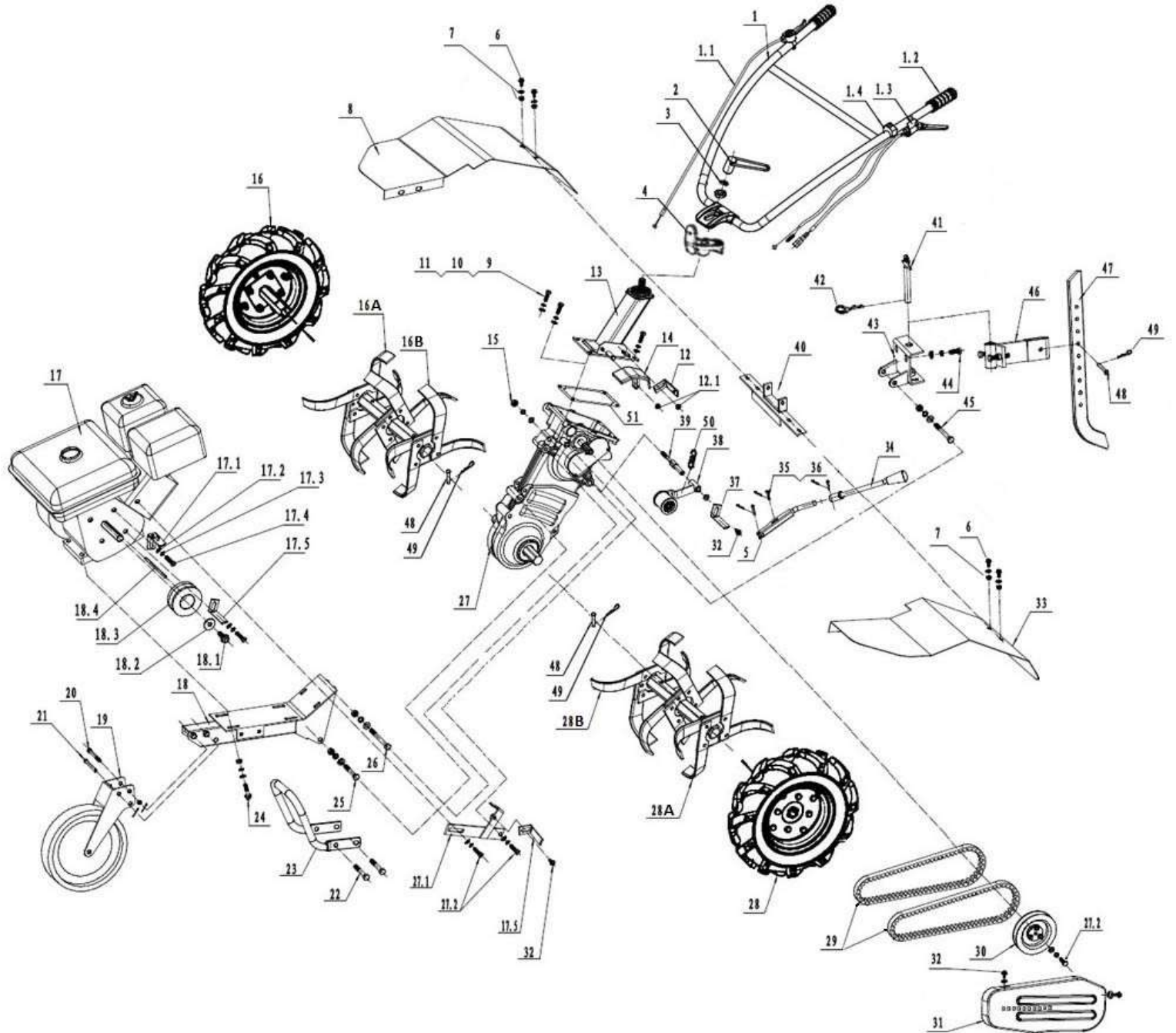




FIG. 1 - KANSAS

Nº	Ref. Cofan	Nº Ref. Rec	Descripción	English name	Uds.
1	71001031.001	0102A-3000	MANILLAR	ARMREST FRAME	1
1.1	71001031.002	MQ168B-1-1.1	CABLE PARE	STOP WIRE	1
1.2	71001031.003	MQ168B-1-1.2	PUÑO MANILLAR	KNOB	2
1.3	71001031.004	MQ168B-1-1.3	CABLE GAS	GAS LINE	1
1.4	71001031.005	MQ168B-1-1.4	CABLE EMBRAGUE	CLUTCH CABLE	1
2	71001031.006	0102-2000	AJUSTE MANILLAR	ADJUSTMENT LOCKING PART (UP&DOWN)	1
3	71001031.007	73003-T75B-100A	ANILLO CONCAVO	LOCK	1
4	71001031.008	73202-T75B-000A	PLACA MANILLAR	PRESSING PLATE (UP)	1
5	71001031.009	MQ168B-1-5	UNION PALANCA CAMBIOS	JOINT	1
6	71001031.010	GB/T5789	TORNILLO M6X16	HEXAGONAL FLANGE FACE BOLT M6X16	9
7	71001031.011	GB/T6177.1	TUERCA M6	HEXAGONAL FLANGE FACE NUT M6	10
8	71001031.012	0104A-0001-B	ALETA BLUE DERECHA	BLUE RIGHT FENDER	1
9	71001031.013	GB/T5783	TORNILLO M8X25	HEXAGONAL BOLT M8X25	6
10	71001031.014	GB/T97.1	ANILLO 8	FLAT CUSHION RING 8	11
11	71001031.015	GB/T93	ARANDELA 8	ELASTIC CUSHION RING 8	8
12	71001031.016	0208-1000	SOPORTE CABLE EMBRAGUE	CLUTCH CABLE HOLDER	1
12.1	71001031.017		TORNILLO	BOLT M6	2
13	71001031.018	0202-1000-B	SOPORTE MANILLAR BLUE	BLUE ARMREST STAND	1
14	71001031.019	0102-0006	TAPA SUPERIOR ENGRANAJE	GEAR SHIFT OUTER COVER	1
15	71001031.020	GB/T6170	TUERCA M8	NUT M8	7
16/28	71001031.021	7109000012	PAR RUEDAS NEUMATICAS	WHEELS	1
16A	71001031.022	MQ168B-1-16A	FRESA EXTERIOR DERECHA	RIGHT EXTERNAL BLADES GROUP	1
16B	71001031.023	MQ168B-1-16B	FRESA INTERIOR DERECHA	RIGHT INTERNAL BLADES GROUP	1
17	71001031.024	71MQ196CCV	MOTOR	GASOLINE ENGINE ASSEMBLY	1
17.1	71001031.025		PLACA A	WELDING PIECE A	1
17.2	71001031.026		ARANDELA M8	WASHER M8	1
17.3	71001031.027		ARANDELA MUELLE M8	SPRING WASHER M8	1
17.4	71001031.028		TORNILLO M8x20	BOLT M8x20	1
17.5	71001031.029		PLACA B	WELDING PIECE B	2
18	71001031.030	0107A-1000	SOPORTE MOTOR	ENGINE SUPPORT	1
18.1	71001031.031		TORNILLO M8x25	SCREW M8x25	1
18.2	71001031.032		ARANDELA MUELLE M8	SPRING WASHER M8	1
18.3	71001031.033		POLEA	PULLEY BUSHING	1
18.4	71001031.034		PASADOR 5x5x40	PIN 5x5x40	1
19	71001031.035	72310-T75A-40W2	RUEDA DELANTERA	FRONT WHEEL ASSY	1





FIG. 1 - KANSAS

Nº	Ref. Cofan	Nº Ref. Rec	Descripción	English name	Uds.
20	71001031.036		TORNILLO M10x80	BOLT M10x80	1
21	71001031.037		TORNILLO M10x70	BOLT M10x70	1
22	71001031.038		TORNILLO M8x25	BOLT M8x25	4
23	71001031.039		PARACHOQUE	BUMPER	1
24	71001031.040	GB/T5789	TORNILLO M8X40	HEXAGONAL FLANGE FACE BOLT M8X40	4
26	71001031.041	GB/T5782	TORNILLO M10X90	HEXAGONAL BOLT M10X90	2
27	71001031.042	0201-0000	CAJA TRACCION	GEAR BOX ASSEMBLY	1
27.1	71001031.043		SOPORTE CABLE EMBRAGUE	CLUTCH WIRE SEAT 2	1
27.2	71001031.044		TORNILLO M8x20	BOLT M8x20	2
28A	71001031.045	MQ168B-1-28A	FRESA EXTERIOR IZQUIERDA	LEFT EXTERNAL BLADES GROUP	1
28B	71001031.046	MQ168B-1-28B	FRESA INTERIOR IZQUIERDA	LEFT INTERNAL BLADES GROUP	1
29	71001031.047	MQ168B-1-29	CORREA B940	TOOTHED BELT B940	2
30	71001031.048	0108-0005	POLEA CONECTORA	DRIVEN PULLEY ASSEMBLY	1
31	71001031.049	MQ168B-1-31-B	TAPA CORREA BLUE	BLUE BELT SHIELD	1
32	71001031.050	GB/T5789	TORNILLO M6X12	HEXAGONAL FLANGE FACE BOLT M6X12	2
33	71001031.051	0104A-0001-1-B	ALETA BLUE IZQUIERDA	BLUE LEFT FENDER	1
34	71001031.052	0108-4000	PALANCA CAMBIOS	SHIFT ROD (RUBBER COVER INCLUDED)	1
35	71001031.053	GB/T882	PASADOR 5X24	B TYPE PIN ROLL 5X24	2
36	71001031.054		PASADOR 1X5X25	B TYPE COTTER PIN 1X5X25	2
37	71001031.055	MQ168B-1-37	PLACA BLOQUEO	D BLOCK	1
38	71001031.056	0208-2000	POLEA TENSORA	TENSION PULLEY ASSEMBLY	1
39	71001031.057	0208-0002	EJE POLEA	TENSION PULLEY DABBER	1
40	71001031.058	0104A-1000	SOPORTE TRASERO	REAR STAND OF FENDER	1
41	71001031.059	0105-3000	PASADOR	PLUG PIN	1
42	71001031.060		PASADOR 3X20X60	B TYPE COTTER PIN 3X20X60	1
43	71001031.061	0105-2000	ENGANCHE	TRACTION FRAME	1
44	71001031.062	GB/T5783	TORNILLO M10X25	HEXAGONAL BOLT M10X25	2
45	71001031.063	GB/T5782	TORNILLO M10X100	HEXAGONAL BOLT M10X100	1
46	71001031.064	0105-1000	ADAPTADOR	CONNECTOR ASSEMBLY	1
47	71001031.065	0105-0001	ESPOLON	RESISTANCE BLADE	1
48	71001031.066	GB/T882	PASADOR 8X50	B TYPE PIN ROLL 8X50	1
49	71001031.067	MQ168B-1-49	CLIP R	B TYPE COTTER PIN 2X9X38	1
50	71001031.068	0208-0004	MUELLE TENSOR	TENSION SPRING	1
51	71001031.069		JUNTA CAJA TRANSMISION	GASKET FOR TRANSMISSION BOX	1





FIGURA 2

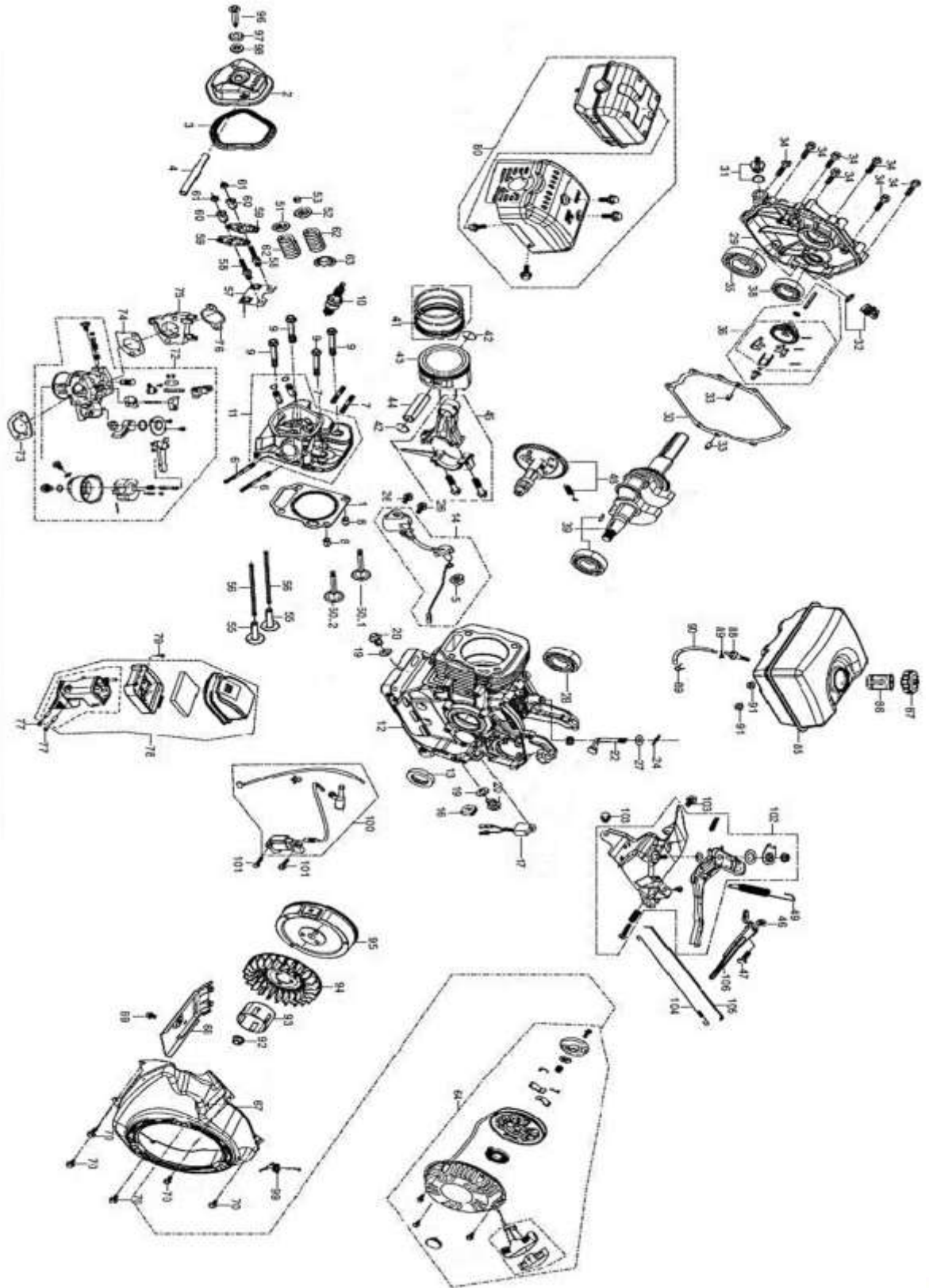




FIGURA 2 MOTOR - KANSAS

Nº	Ref. Cofan	Nº Ref. Rec	Descripción	English name	Uds.
1	71001031.070	78H168FB-A-9	JUNTA CILINDRO	GASKET, CYLINDER HEAD	1
2	71001031.071	78H168FB-A-5	TAPA CILINDRO	COVER SUBASSEMBLY, CYLINDER HEAD	1
3	71001031.072	78H168FB-A-6	JUNTA TAPA	GASKET, CYLINDER HEAD COVER	1
4	71001031.073	78H168FB-A-7	TUBO	TUBE, BREATHER	1
5	71001031.074	78H168FB-B-16	TUERCA	NUT	1
6	71001031.075	78H168FB-A-14	ESPARRAGO	STUD	2
7	71001031.076	78H168FB-A-15	ESPARRAGO ESCAPE EX	STUD	2
8	71001031.077	78H168FB-A-11	PASADOR GUIA	PIN	2
9	71001031.078	78H168FB-A-13	TORNILLO	BOLT CYLINDER HEAD	4
10	71001031.079	78H168FB-A-8	BUJIA	PLUG, SPARK	1
11	71001031.080	78H168FB-A-1	CULATA	HEAD SUBASSEMBLY, CYLINDER	1
12	71001031.081	78H168FB-B-1	CILINDRO	CRANKCASE SUBASSEMBLY.	1
13	71001031.082	78H168FB-B-14	RETEN	SEAL, OIL	1
14	71001031.083	78H168FB-B-2	SENSOR ACEITE	SENSOR, ENGINE OIL	1
16	71001031.084	78H168FB-G-6	PASACABLE	PLUG, RUBBER	1
17	71001031.085	78H168FB-B-22	ALARMA ACEITE	PROTECTOR OIL	1
19	71001031.086	78H168FB-B-11	JUNTA TAPON	WASHER, FLAT	2
20	71001031.087	78H168FB-B-9	TAPON VACIADO	BOLT, DRAIN PLUG	2
22	71001031.088	78H168FB-B-8	EJE CODO	ARM, GOVERNOR	1
24	71001031.089	78H168FB-B-18	PASADOR	PIN	1
26	71001031.090	78H168FB-B-19	TORNILLO	BOLT	2
27	71001031.091	78H168FB-B-17	ARANDELA	WASHER, FLAT	1
28	71001031.092	78H168FB-B-13	COJINETE BANCADA	BEARING	1
29	71001031.093	78H168FB-D-4	TAPA CARTER	COVER, CRANKCASE	1
30	71001031.094	78H168FB-D-9	JUNTA CARTER	GASKET CRANKCASE	1
31	71001031.095	78H168FB-D-10	KIT TAPON ACEITE	PLUG SUBASSEMBLY, ENGINE OIL	1
32	71001031.096	78H168FB-D-11	NIVEL ACEITE	PLUG SUBASSEMBLY, ENGINE OIL	1
33	71001031.097	78H168FB-D-7	PASADOR GUIA	PIN	2
34	71001031.098	78H168FB-D-1	TORNILLO	BOLT	7
35	71001031.099	78H168FB-D-6	COJINETE BANCADA	BEARING	1
36	71001031.100	78H168FB-B-21	KIT GOBERNADOR	GEAR ASSY, GOVERNOR	1
38	71001031.101	78H168FB-D-5	RETEN	BEARING	1
39	71001031.102	78H168FB-C-5	KIT CIGÜEÑAL	CRANKSHAFT ASSY.	1
41	71001031.103	78H168FB-C-1	JUEGO SEGMENTOS	PISTON RINGS ASSEMBLY	1
42	71001031.104	78H168FB-C-7	FRENILLO	CLIP, PISTON PIN	2
43	71001031.105	78H168FB-C-2	PISTON	PISTON	1
44	71001031.106	78H168FB-C-3	BULON	PIN, PISTON	1
45	71001031.107	78H168FB-C-4	KIT BIELA	ROD, CONNECTING	1
46	71001031.108	78H168FB-J-5	TUERCA	NUT	1
47	71001031.109	78H168FB-J-3	TORNILLO	BOLT, GOVERNOR SUPPORT	1
48	71001031.110	78H168FB-E-14	KIT ARBOL LEVAS	CAMSHAFT ASSY.	1
49	71001031.111	78H168FB-J-2	MUELLE GOBERNADOR	SPRING GOVERNOR	1
50.1	71001031.112	78H168FB-E-24	VALVULA EX.	VALVES ASSY	1
50.2	71001031.113	78H168FB-E-25	VALVULA IN.	VALVES ASSY	1
51	71001031.114	78H168FB-E-11	RETENEDOR MUELLE	SEAT, VALVE SPRING	1
52	71001031.115	78H168FB-E-11	RETENEDOR MUELLE	RETAINER, EXHAUST VALVE	1
53	71001031.116	78H168FB-E-10	FIJADOR VALVULA	ROTATOR, VALVE	1
55	71001031.117	78H168FB-E-9	TAQUET	TAPPET, VALVE	2
56	71001031.118	78H168FB-E-8	VARILLA VALVULA	LIFTER SUBASSEMBLY, VALVE	2
57	71001031.119	78H168FB-E-5	PLACA GUIA	PLATE SUBASSEMBLY LIFTER STOPPER	1





FIGURA 2 MOTOR - KANSAS

Nº	Ref. Cofan	Nº Ref. Rec	Descripción	English name	Uds.
58	71001031.120	78H168FB-E-4	TORNILLO REGULADOR	BOLT, VALVE ADJUSTING	2
59	71001031.121	78H168FB-E-3	BALANCIN	ROCKER, VALVE	2
60	71001031.122	78H168FB-E-2	CASQUILLO	NUT, VALVE ADJUSTING	2
61	71001031.123	78H168FB-E-1	TUERCA VALVULA	NUT, VALVE LOCK	2
62	71001031.124	78H168FB-E-12	MUELLE VALVULA	SPRING, VALVE	2
63	71001031.125	78H168FB-E-13	GUIA	RETAINER, VALVE SPRING	1
64	71001031.126	78H168FB-F-1	ARRANCADOR COMPLETO	STARTER ASSY, RECOIL	1
67	71001031.127	78H168FB-F-14	CARCASA VENTILADOR	SHROUD	1
68	71001031.128	78H168FB-G-4	CARCASA	SHROUD, CYLINDER BODY	1
69	71001031.129	78H168FB-G-3	TORNILLO	BOLT	1
70	71001031.130	78H168FB-F-13	TORNILLO	BOLT	1
72	71001031.131	78H168FB-H-1	KIT CARBURADOR	CARBURETOR ASSY.	1
73	71001031.132	78H168FB-H-31	JUNTA	GASKET, AIR CLEANER	1
74	71001031.133	78H168FB-H-32	JUNTA CARBURADOR	GASKET, CARBURETOR	1
75	71001031.134	78H168FB-H-33	CUELLO ADMISION	PLATE, CARBURETOR INSULATOR	1
76	71001031.135	78H168FB-H-34	JUNTA ADMISION	GASKET, INLET	1
77	71001031.136	78H168FB-K-7	TUERCA	NUT	1
78	71001031.137	78H168FB-K-15	KIT FILTRO AIRE	CLEANER AIR	1
79	71001031.138	78H168FB-K-6	TORNILLO	BOLT	1
80	71001031.139	78H168FB-L-5	KIT ESCAPE	MUFFLER ASSY	1
85	71001031.140	78H168FB-M-3	DEPOSITO GASOLINA	TANK, FUEL	1
86	71001031.141	78H168FB-M-6	FILTRO GASOLINA	STRAINER, FUEL	1
87	71001031.142	78H168FB-M-4	TAPON GASOLINA	COVER, FUEL TANK	1
88	71001031.143	78H168FB-M-2	KIT CONECTOR TUBO	OUTLET SUBASSEMBLY, FUEL TANK OIL	1
89	71001031.144	78H168FB-M-1	CLIP TUBO	COLLAR	1
90	71001031.145	78H168FB-M-10	TUBO GASOLINA	TUBE, FUEL	1
91	71001031.146	78H168FB-M-9	TUERCA	NUT	1
92	71001031.147	78H168FB-I-10	TUERCA	NUT, FLYWHEEL	1
93	71001031.148	78H168FB-I-9	TAZA ARRANQUE	PULLEY, STARTER	1
94	71001031.149	78H168FB-I-8	VENTILADOR	IMPELLER	1
95	71001031.150	78H168FB-I-6	VOLANTE MAGNETICO	FLYWHEEL SUBASSEMBLY	1
96	71001031.151	78H168FB-A-12	TORNILLO TAPA	BOLT, CYLINDER HEAD	1
97	71001031.152		ANILLO JUNTA	GASKET CYLINDER HEAD COVER	1
98	71001031.153		JUNTA	GASKET, CYLINDER HEAD COVER BOLT	1
99	71001031.154	78H168FB-F-18	INTERRUPTOR STOP	SWITCH SUBASSEMBLY, STOP ENGINE	1
100	71001031.155	78H168FB-I-1	KIT ELECTRONICO	COIL, IGNITION	1
101	71001031.156	78H168FB-I-5	TORNILLO	BOLT	1
102	71001031.157	78H168FB-J-8	MECANISMO CONTROL	CONTROL ASSY, THROTTLE	1
103	71001031.158	78H168FB-J-1	TORNILLO	BOLT	1
104	71001031.159	78H168FB-J-6	MUELLE	SPRING, THROTTLE VALVE RETURNING	1
105	71001031.160	78H168FB-J-7	VARILLA GOBERNADOR	ROD, GOVERNEOR	1
106	71001031.161	78H168FB-J-4	BRAZO GOBERNADOR	SUPPORT SUBASSEMBLY, GOVERNOR	1

