



DESPIECE 71001015



Categoría productos: Hidrolavadora
Grupo producto: GASOLINA
Potencia: 7 CV

Versión: 210CC





FIGURA 1

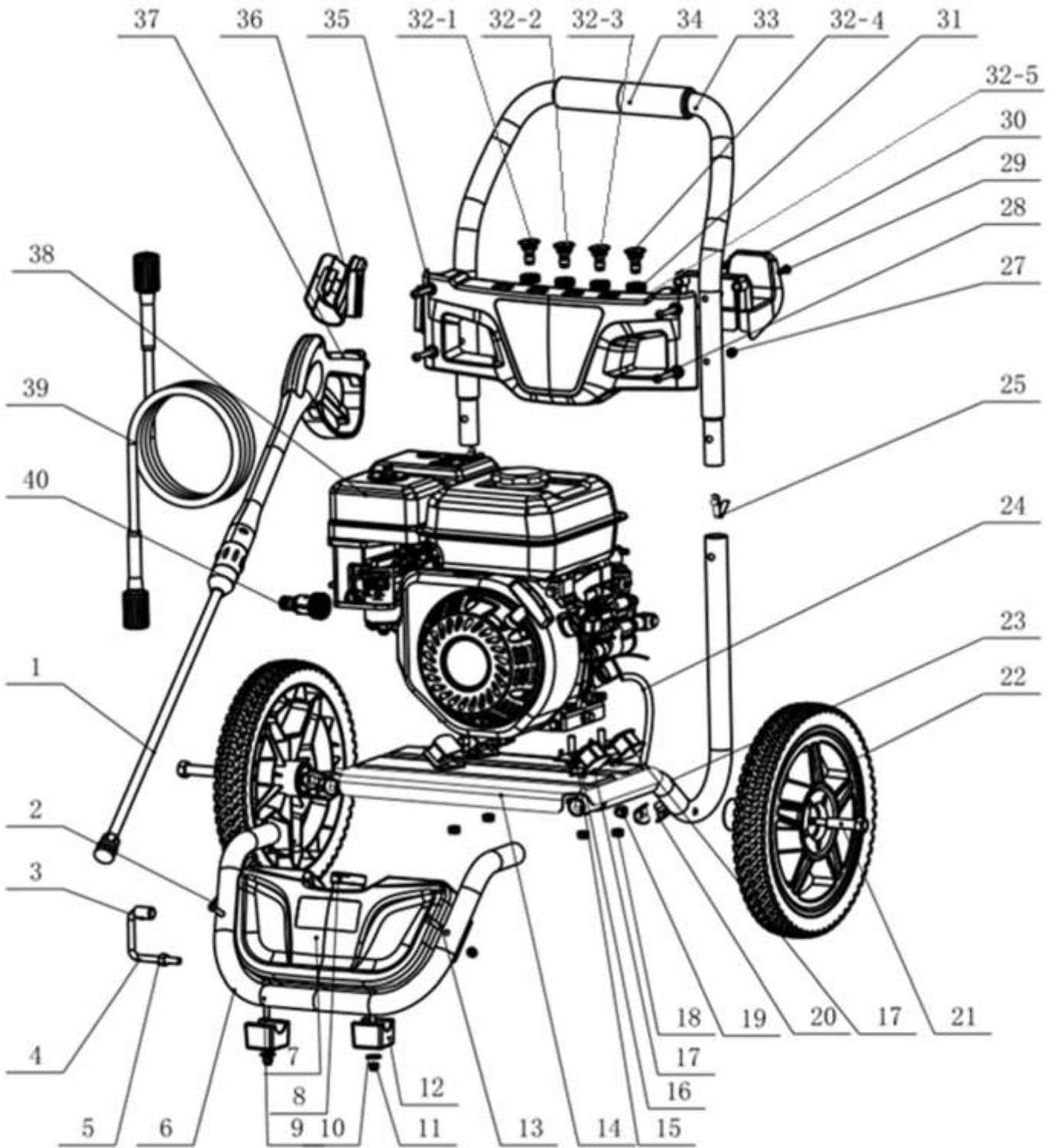




FIG. 1 MICHIGAN

| Nº | Ref. Cofan | Nº Ref. Rec | Descripción | English name | Uds. |
|------|--------------|----------------|------------------------|-----------------------------|------|
| 1 | 71001015.001 | LT810B-F1-01 | LANZA | LANDE FOR SPRAY GUN | 1 |
| 2 | 71001015.002 | LT810B-F1-02 | TUERCA M8 | M8 FLANGE NUT | 1 |
| 3 | 71001015.003 | LT810B-F1-03 | TAPA TORNILLO TIPO L | L TYPE SCREW COVER | 1 |
| 4 | 71001015.004 | LT810B-F1-04 | TORNILLO TIPO L | L TYPE SCREW | 1 |
| 5 | 71001015.005 | LT810B-F1-05 | TUERCA M8 | M8 FANGE NUT | 1 |
| 6 | 71001015.006 | LT810B-F1-06-B | CHASIS DELANTERO BLUE | BLUE FRAME BELOW | 1 |
| 7 | 71001015.007 | LT810B-F1-07 | DEPOSITO JABON | SOAP BOTTLE | 1 |
| 8 | 71001015.008 | LT810B-F1-08 | TAPA DEPOSITO | SOAP BOTTLE COVER | 1 |
| 9 | 71001015.009 | LT810B-F1-09 | TORNILLO M6X45 | CROSS SCREW M6X45 | 2 |
| 10 | 71001015.010 | LT810B-F1-10 | ARANDELA | WASHER | 2 |
| 11 | 71001015.011 | LT810B-F1-11 | TUERCA M6 | M6 NUT | 2 |
| 12 | 71001015.012 | LT810B-F1-12 | PIE CHASIS | ABSORB FOR FRAME BELOW | 2 |
| 13 | 71001015.013 | LT810B-F1-13 | TORNILLO M6X35 | CROSS SCREW M6X35 | 2 |
| 14 | 71001015.014 | LT810B-F1-14-B | CHASIS INTERMEDIO BLUE | BLUE FRAME MIDDLE | 1 |
| 15 | 71001015.015 | LT810B-F1-15 | TORNILLO M8X35 | BOLT M8*35 | 4 |
| 16 | 71001015.016 | LT810B-F1-16 | TORNILLO M8X20 | BOLT M8*20 | 4 |
| 17 | 71001015.017 | LT810B-F1-17 | AMORTIGUADOR MOTOR | ABSORB FOR ENGINE | 4 |
| 18 | 71001015.018 | LT810B-F1-18 | TORNILLO M8 | SCREW M8 | 8 |
| 19 | 71001015.019 | LT810B-F1-19 | TORNILLO M8 | SCREW M8 | 2 |
| 20 | 71001015.020 | LT810B-F1-20 | ARANDELA | WASHER | 4 |
| 21 | 71001015.021 | LT810B-F1-21 | EJE | SHAFT | 2 |
| 22 | 71001015.022 | LT810B-F1-22 | RUEDA | WHEEL | 2 |
| 23 | 71001015.023 | LT810B-F1-23-B | CHASIS TRASERO BLUE | BLUE FRAME | 2 |
| 24 | 71001015.024 | LT810B-F1-24 | MANGUERA SUCCION | SOAP BOTTLE SUCTION HOSE | 1 |
| 25 | 71001015.025 | LT810B-F1-25 | PASADOR CLIP | HOODLE | 4 |
| 27 | 71001015.027 | LT810B-F1-27 | TAPON TUERCA M6 | CAP NUT M6 | 6 |
| 28 | 71001015.028 | LT810B-F1-28 | TORNILLO M6X40 | CROSS SCREW M6X40 | 4 |
| 29 | 71001015.029 | LT810B-F1-29 | TORNILLO ST4.8X30 | CROSS SCREW ST4.8X20 | 3 |
| 30 | 71001015.030 | LT810B-F1-30 | PLASTICO | PLASTIC | 1 |
| 31 | 71001015.031 | LT810B-F1-31 | TAPA BOQUILLAS | PLASTIC NOZZLE RUBBER COVER | 4 |
| 32-1 | 71001015.032 | 71HD000034 | BOQUILLA 0º | RED NOZZLE 0º | 1 |
| 32-2 | 71001015.033 | 71HD000035 | BOQUILLA 15º | YELOW NOZZLE 15º | 1 |
| 32-3 | 71001015.034 | 71HD000036 | BOQUILLA 25º | GREEN NOZZLE 25º | 1 |
| 32-4 | 71001015.035 | 71HD000037 | BOQUILLA 40º | WHITE NOZZLE 40º | 1 |
| 32-5 | 71001015.036 | 71HD000038 | BOQUILLA JABON | BLACK SOAP NOZZLE | 1 |
| 33 | 71001015.037 | LT810B-F1-33-B | ASIDERO BLUE | BLUE HANDLE | 1 |
| 34 | 71001015.038 | LT810B-F1-34 | FUNDA ASIDERO | THE PROTECT HANDLE COVER | 1 |
| 35 | 71001015.039 | LT810B-F1-35 | PANEL | PLASTIC PANEL | 1 |
| 36 | 71001015.040 | LT810B-F1-36 | GANCHO PISTOLA | GUN RACK | 1 |
| 37 | 71001015.041 | LT810B-F1-37 | PISTOLA | COMPLETE ENGINE | 1 |
| 38 | 71001015.042 | LT810B-F1-38 | MOTOR | GUN GRIO | 1 |
| 39 | 71001015.043 | LT810B-F1-39 | MANGUER PRESION | HIGH PRESSURE HOSE | 1 |
| 40 | 71001015.044 | LT810B-F1-40 | CONECTOR ENTRADA AGUA | WATER INLET CONNECTOR | 1 |





FIGURA 2

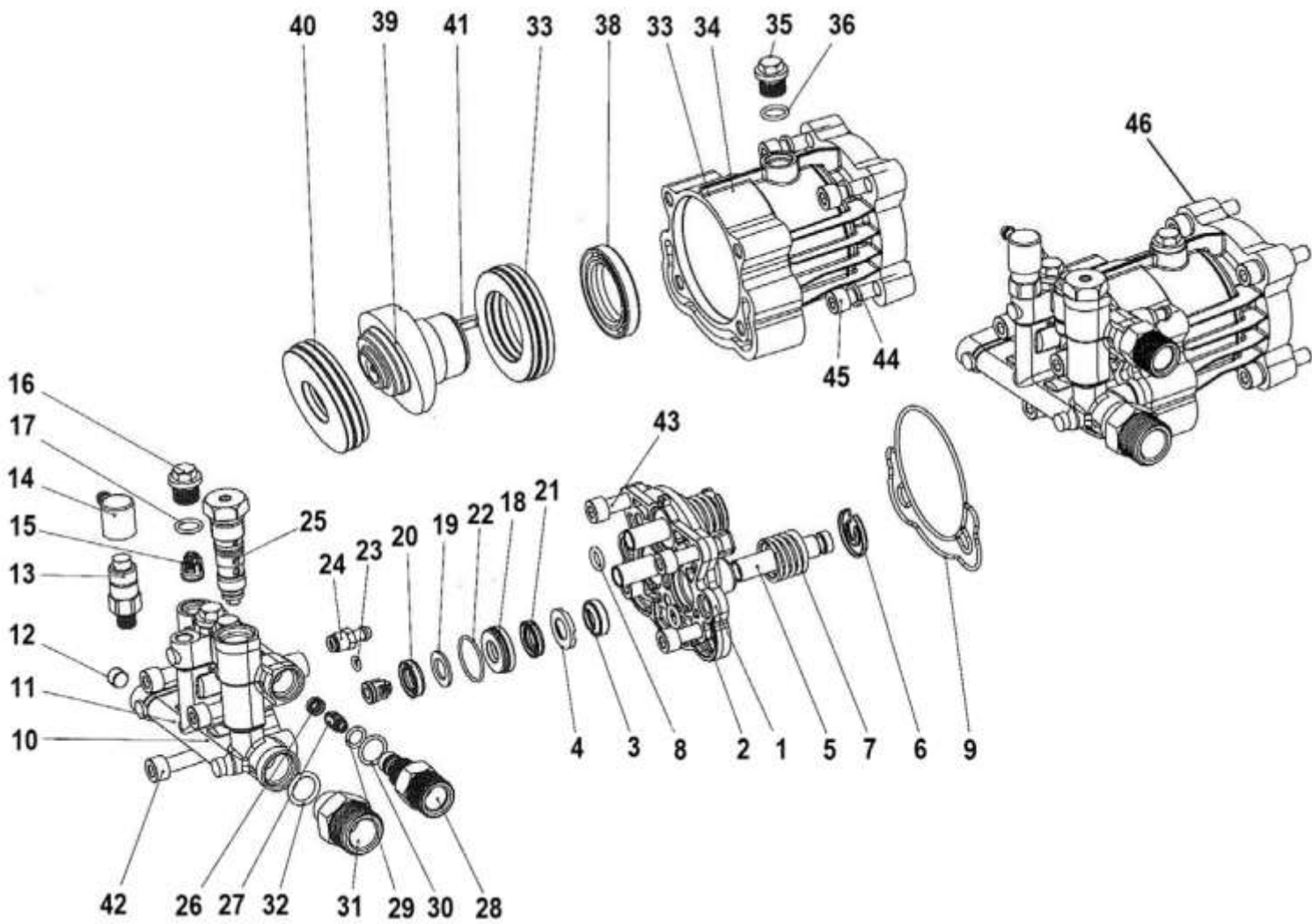




FIG. 2 MICHIGAN

| Nº | Ref. Cofan | Nº Ref. Rec | Descripción | English name | Uds. |
|----|--------------|--------------|--------------------------|-------------------------------------|------|
| 1 | 71001015.045 | LT810B-F2-01 | CUERPO BOMBA COMPLETO | PUMP BODY ASSY | 1 |
| 2 | 71001015.046 | LT810B-F2-02 | CUERPO BOMBA | PUMP BODY | 1 |
| 3 | 71001015.047 | LT810B-F2-03 | RETEN 12X20X5 | PLUNGER OIL SEAL 12X20X5 | 1 |
| 4 | 71001015.048 | LT810B-F2-04 | SOPORTE RETEN | OIL SEAL BRACKET | 1 |
| 5 | 71001015.049 | LT810B-F2-05 | EJE | PLUNGER | 1 |
| 6 | 71001015.050 | LT810B-F2-06 | PLACA EJE | PLUNGER PLATE | 1 |
| 7 | 71001015.051 | LT810B-F2-07 | MUELLE EJE | PLUNGER SPRING | 1 |
| 8 | 71001015.052 | LT810B-F2-08 | ANILLO | O RING | 1 |
| 9 | 71001015.053 | LT810B-F2-09 | JUNTA | SPECIAL-SHAPED SEAL | 1 |
| 10 | 71001015.054 | LT810B-F2-10 | TAPA BOMBA | PUMP COVER ASSY | 1 |
| 11 | 71001015.055 | LT810B-F2-11 | TAPA METAL | BRASS PUMP COVER | 1 |
| 12 | 71001015.056 | LT810B-F2-12 | TAPON | CAP | 1 |
| 13 | 71001015.057 | LT810B-F2-13 | VALVULA | THERMO VALVE | 1 |
| 14 | 71001015.058 | LT810B-F2-14 | TAPA VALVULA | THERMO VALVE COVER | 1 |
| 15 | 71001015.059 | LT810B-F2-15 | VALVULA ANTIRETORNO | CHECKING VALVE ASSY | 1 |
| 16 | 71001015.060 | LT810B-F2-16 | TAPON VALVULA | CHECKING VALVE CAP ASSY | 1 |
| 17 | 71001015.061 | LT810B-F2-17 | ANILLO | O RING | 1 |
| 18 | 71001015.062 | LT810B-F2-18 | RETEN AGUA | WATER SEAL SEAT & WATER SEAL ASSY | 1 |
| 19 | 71001015.063 | LT810B-F2-19 | JUNTA RETEN | WATER SEAL GASKET | 1 |
| 20 | 71001015.064 | LT810B-F2-20 | RETEN | WATER SEAL | 1 |
| 21 | 71001015.065 | LT810B-F2-21 | RETEN | WATER SEAL | 1 |
| 22 | 71001015.066 | LT810B-F2-22 | ANILLO | O RING | 1 |
| 23 | 71001015.067 | LT810B-F2-23 | ANILLO | O RING | 1 |
| 24 | 71001015.068 | LT810B-F2-24 | BOQUILLA SIFON | SIPHON NOZZLE ASSY | 1 |
| 25 | 71001015.069 | LT810B-F2-25 | VALVULA DESCARGA | RELIEF VALVE ASSY | 1 |
| 26 | 71001015.070 | LT810B-F2-26 | SOPORTE VALVULA | BACK PRESSURE VALVE SEAT | 1 |
| 27 | 71001015.071 | LT810B-F2-27 | VALVULA PRESION | BACK PRESSURE VALVE ASSY | 1 |
| 28 | 71001015.072 | LT810B-F2-28 | CONECTOR TUBO ENTRADA | OUTLET TUBE ASSY & OUTLET CONNECTOR | 1 |
| 29 | 71001015.073 | LT810B-F2-29 | ANILLO | O RING | 1 |
| 30 | 71001015.074 | LT810B-F2-30 | ANILLO | O RING | 1 |
| 31 | 71001015.075 | LT810B-F2-31 | CONECTOR TUBO SALIDA | INLET TUBE & INLET CONNECTOR | 1 |
| 32 | 71001015.076 | LT810B-F2-32 | ANILLO | O RING | 1 |
| 33 | 71001015.077 | LT810B-F2-33 | CONJUNTO CILINDRO ACEITE | OIL CYLINDER ASSY | 1 |
| 34 | 71001015.078 | LT810B-F2-34 | CILINDRO ACEITE | OIL CYLINDER | 1 |
| 35 | 71001015.079 | LT810B-F2-35 | TAPON VALVULA | CHECKING VALVE CAP | 1 |
| 36 | 71001015.080 | LT810B-F2-36 | ANILLO | O RING | 1 |
| 37 | 71001015.081 | LT810B-F2-37 | COJINETE 42 | BEARING 42 | 1 |
| 38 | 71001015.082 | LT810B-F2-38 | RETEN 52X35X8 | OIL SEAL 52*35*8 | 1 |
| 39 | 71001015.083 | LT810B-F2-39 | PLACA OSCILANTE | SWASH PLATE | 1 |
| 40 | 71001015.084 | LT810B-F2-40 | COJINETE 25 | BEARING 25 | 1 |
| 41 | 71001015.085 | LT810B-F2-41 | CHAVETA | FLAT KEY | 1 |
| 42 | 71001015.086 | LT810B-F2-42 | TORNILLO M8X45 | BOLT M8*45 | 1 |
| 43 | 71001015.087 | LT810B-F2-43 | TORNILLO M8X30 | BOLT M8*30 | 1 |
| 44 | 71001015.088 | LT810B-F2-44 | JUNTA M8 | GASKET M8 | 1 |
| 45 | 71001015.089 | LT810B-F2-45 | TORNILLO M8X35 | BOLT M8X35 | 1 |
| 46 | 71001015.090 | LT810B-F2-46 | BOMBA COMPLETA | PUMP ASSY | 1 |

