



## DESPIECE 71001014



**Categoría productos: Hidrolavadora**  
**Grupo producto: ELÉCTRICO**  
**Potencia: 2500W**

**Versión: 2500W**





**FIGURA 1**

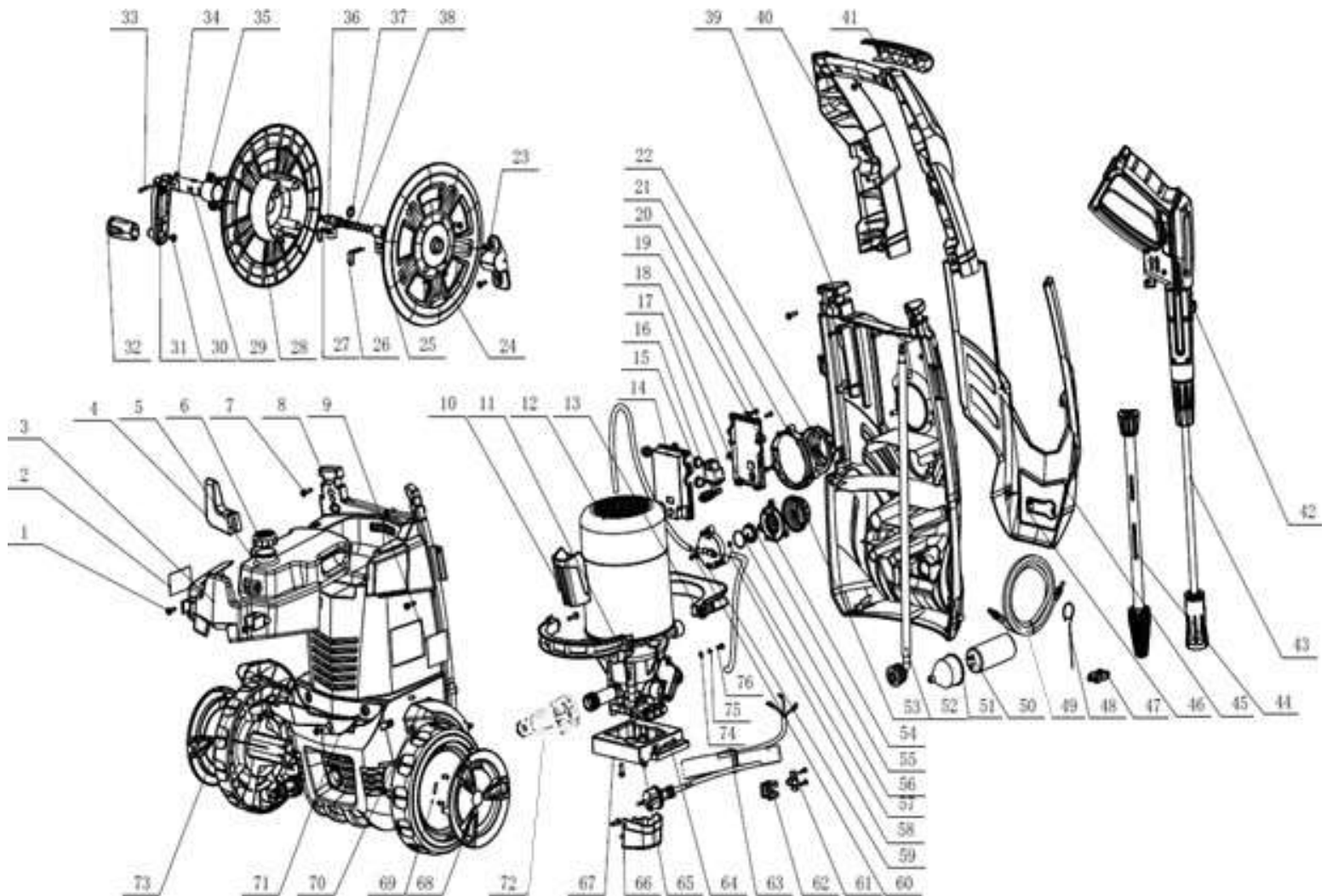




FIG. 1 VERMONT

Nº	Ref. Cofan	Nº Ref. Rec	Descripción	English name	Uds.
1	71001014.001	LT704GC-01	TORNILLO	SCREW	18
2	71001014.002	LT704GC-02	ETIQUETA	WARNING LABEL	1
3	71001014.003	LT704GC-03	SOPORTE ACCESORIOS	ACCESSORIES HOLDER	1
4	71001014.004	LT704GC-04	ENGANCHE CABLE	CABLE HOOK	1
5	71001014.005	LT704GC-05	DEPOSITO DETERGENTE	DETERGENT BOTTLE	1
6	71001014.006	LT704GC-06	TAPON DEPOSITO DETERGENTE	DETERGENT BOTTLE CAP	1
7	71001014.007	LT704GC-07	TORNILLO	SCREW	13
8	71001014.008	LT704GC-08	CARCASA POSTERIOR	BACK HOUSING	1
9	71001014.009	LT704GC-09	ETIQUETA	RATING LABEL	1
10	71001014.010	LT704GC-10	SOPORTE PISTOLA	GUN HOLDER	1
11	71001014.011	LT704GC-11	SOPORTE FIJACION INFERIOR	LOWER FIXED MOUNT	1
12	71001014.012	LT704GC-12	MOTOR Y BOMBA COMPLETA	MOTOR & PUMP ASSY	1
13	71001014.013	LT704GC-13	SOPORTE FIJACION SUPERIOR	UPPER FIXED MOUNT	1
14	71001014.014	LT704GC-14	CAJA INTERRUPTOR PRINCIPAL	MAIN SWITCH BOX	1
15	71001014.015	LT704GC-15	FUNDA EXTERIOR CABLE	CABLE OUT JACKET	3
16	71001014.016	LT704GC-16	PALANCA INTERRUPTOR	MAIN SWITCH LEVER	1
17	71001014.017	LT704GC-17	INTERRUPTOR PRINCIPAL	MAIN SWITCH	1
18	71001014.018	LT704GC-18	ANILLO	O-RING 8X2/80HS/ROHS	3
19	71001014.019	LT704GC-19	TORNILLO	SCREW	17
20	71001014.020	LT704GC-20	TAPA CAJA INTERRUPTOR	MAIN SWITCH BOX	1
21	71001014.021	LT704GC-21	PLACA FIJACION	SWITCH KNOB LOCATING PLATE	1
22	71001014.022	LT704GC-22-B	POMO INTERRUPTOR BLUE	BLUE SWITCH KNOB	1
23	71001014.023	LT704GC-23	SOPORTE CARRETE IZQUIERDO	HOSE REEL BRACKET (LEFT)	1
24	71001014.024	LT704GC-24	TAPA CARRETE IZQUIERDA	HOSE REEL (LEFT)	1
25	71001014.025	LT704GC-25	JUNTA EXTERIOR CARRETE	HOSE REEL OUTER JOINT	1
26	71001014.026	LT704GC-26	PASADOR	HOSE REEL JOINT PIN	2
27	71001014.027	LT704GC-27	TORNILLO	SCREW	1
28	71001014.028	LT704GC-28	TAPA CARRETE DERECHO	HOSE REEL (RIGHT)	1
29	71001014.029	LT704GC-29	EJE CARRETE	HOSE REEL AXIS	1
30	71001014.030	LT704GC-30	TORNILLO	SCREW	1
31	71001014.031	LT704GC-31	PALANCA ROTATORIA	ROCKING HANDLE	1
32	71001014.032	LT704GC-32	CASQUILLO PALANCA	ROCKING HANDLE SLEEVE	1
33	71001014.033	LT704GC-33	TORNILLO M4X25	SCREW	1
34	71001014.034	LT704GC-34	TUERCA M4	NUT M4	1
35	71001014.035	LT704GC-35	SOPORTE CARRETE MANGUERA	HOSE REEL BRACKET	1
36	71001014.036	LT704GC-36	JUNTA INTERIOR CARRETE	HOSE REEL INNER JOINT	1
37	71001014.037	LT704GC-37	ANILLO FIJACION	CIRCLIP	1
38	71001014.038	LT704GC-38	JUNTA	RUBBER SEAL GASKET	2
39	71001014.039	LT704GC-39	CARCASA FRONTAL PRINCIPAL	FRONT HOUSING	1
40	71001014.040	LT704GC-40	ASIDERO	HANDLE	1





**FIG. 1 VERMONT**

Nº	Ref. Cofan	Nº Ref. Rec	Descripción	English name	Uds.
41	71001014.041	LT704GC-41-B	FUNDA ASIDERO BLUE	BLUE HANDLE SLEEVE	1
42	71001014.042	LT704GC-42	PISTOLA	GUN	1
43	71001014.043	LT704GC-43	BOQUILLA REGULABLE	ADJUSTABLE NOZZLE	1
44	71001014.044	71HD000020	LANZA TURBO PRO	TURBO NOZZLE	1
45	71001014.045	LT704GC-45-B	CARCASA FRONTAL BLUE	BLUE DECORATIVE PLATE (FRONT)	1
46	71001014.046	LT704GC-46	PLACA CUBIERTA	DRAINAGE HOLES COVER PLATE	1
47	71001014.047	LT704GC-47	FIJACION MANGUERA	HOSE CLIP	1
48	71001014.048	LT704GC-48	PASADOR LIMPIEZA	CLEANING PIN	1
49	71001014.049	LT704GC-49	MANGUERA PRESION	HIGH PRESSURE HOSE	1
50	71001014.050	LT704GC-50	CONDENSADOR	CAPACITOR	1
51	71001014.051	LT704GC-51	TAPA CONDENSADOR	CAPACITOR CUP	1
52	71001014.052	LT704GC-52	MANGUERA PRESION INTEGRADA	BUILT-IN PRESSURE HOSE	1
53	71001014.053	LT704GC-53-B	POMO REGULADOR DETERGENTE BLUE	BLUE ADJUSTING KNOB	1
54	71001014.054	LT704GC-54	TAPA VALVULA	DETERGENT ADJUSTING VALVE DECK	1
55	71001014.055	LT704GC-55	CARRETE VALVULA	DETERGENT ADJUSTING VALVE SPOOL	1
56	71001014.056	LT704GC-56	ANILLO	O-RING 25X2/70HS/ROHS	1
57	71001014.057	LT704GC-57	ANILLO	O-RING 5X2/70HS/ROHS	1
58	71001014.058	LT704GC-58	TUBO DETERGENTE INTEGRADO	BUILT-IN DETERGENT TUBE	1
59	71001014.059	LT704GC-59	BASE VALVULA	DETERGENT ADJUSTING VALVE SEAT	1
60	71001014.060	LT704GC-60	TUBO PRINCIPAL	SELF-PRIME TUBE	1
61	71001014.061	LT704GC-61	FIJACION CABLE	CABLE PRESSPLATE	1
62	71001014.062	LT704GC-62	FIJACION CABLE	CABLE JACKET	1
63	71001014.063	LT704GC-63	CABLE ELECTRICO	POWER CABLE	1
64	71001014.064	LT704GC-64	TORNILLO	SCREW	2
65	71001014.065	LT704GC-65	TORNILLO M6X16	SCREW	2
66	71001014.066	LT704GC-66	CULATA PISTOLA	GUNSTOCK	1
67	71001014.067	LT704GC-67	BASE BOMBA	PUMP FIXED SEAT	1
68	71001014.068	LT704GC-68	TAPA RUEDA	WHEEL COVER	2
69	71001014.069	LT704GC-69	RUEDA	WHEEL	2
70	71001014.070	LT704GC-70	PROTECTOR RUEDA IZQUIERDO	WHEEL GUARD PLATE (LEFT)	1
71	71001014.071	LT704GC-71	SOPORTE ACCESORIOS	ACCESSORIES BRACKET	1
72	71001014.072	LT704GC-72	CONECTOR Y FILTRO AGUA	QUICK CONNECTOR & WATER FILTER	1
73	71001014.073	LT704GC-73	PROTECTOR RUEDA DERECHO	WHEEL GUARD PLATE (RIGHT)	1
74	71001014.074	LT704GC-74	JUNTA	GASKET 4	1
75	71001014.075	LT704GC-75	JUNTA	GASKET 4	1
76	71001014.076	LT704GC-76	TORNILLO M4X8	SCREW M4X8	1





FIGURA 2

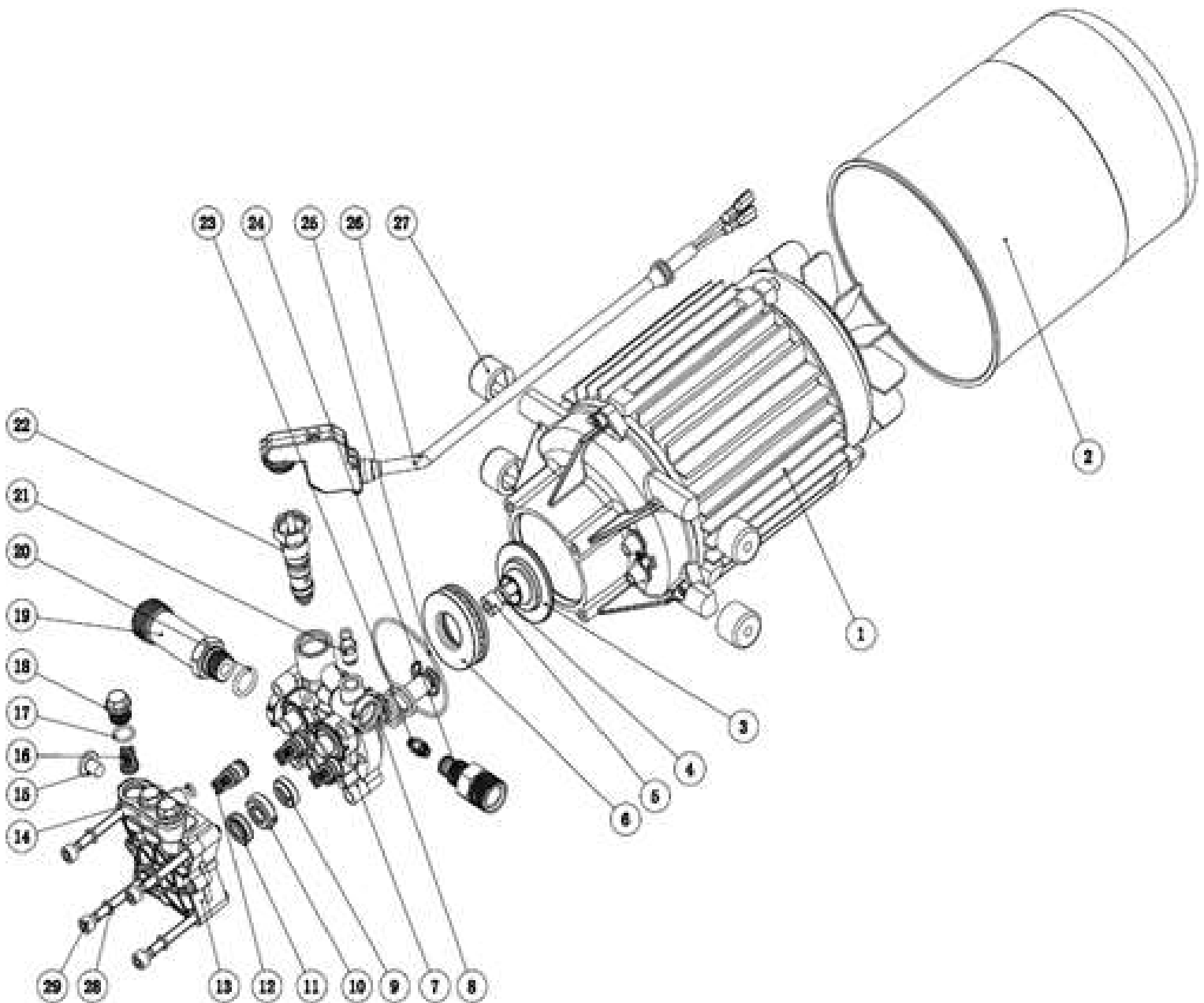




FIG. 2 VERMONT

Nº	Ref. Cofan	Nº Ref. Rec	Descripción	English name	Uds.
1	71001014.077	MP152-01	MOTOR 128	MOTOR 128	1
2	71001014.078	MP152-02	CARCASA VENTILADOR	FAN COVER	1
3	71001014.079	MP152-03	ESCENTRICA	SWASH PLATE	1
4	71001014.080	MP152-04	JUNTA 8	GASKET 8	1
5	71001014.081	MP152-05	TORNILLO M8X20	BOLT M8X20	1
6	71001014.082	MP152-06	COJINETE	BEARING	1
7	71001014.083	MP152-07	CUERPO BOMBA	PUMP BODY	1
8	71001014.084	MP152-08	PISTON COMPLETO	PLUNGER ASSY	3
9	71001014.085	MP152-09	RETEN ACEITE 12X20X5	PLUNGER OIL SEAL 12X20X5	3
10	71001014.086	MP152-10	SOPORTE RETEN	WATER SEAL BRACKET	3
11	71001014.087	MP152-11	RETEN AGUA 12X20X5.2	WATER SEAL 12x20x5.2	3
12	71001014.088	MP152-12	VALVULA ENTRADA	INLET CHECKING VALVE ASSY	3
13	71001014.089	MP152-13	CUBIERTA BOMBA	PUMP COVER	1
14	71001014.090	MP152-14	ANILLO 5.5X2	O-RING 5.5x2	1
15	71001014.091	MP152-15	TORNILLO M8X10	BOLT M8x10	1
16	71001014.092	MP152-16	VALVULA SALIDA	OUTLET CHECKING VALVE ASSY	3
17	71001014.093	MP152-17	ANILLO	O-RING	3
18	71001014.094	MP152-18	TAPON VALVULA	CHECKING VALVE CAP	3
19	71001014.095	MP152-19	ENTRADA MANGUERA	INLET HOSE	1
20	71001014.096	MP152-20	ANILLO	O-RING 14x2.65	1
21	71001014.097	MP152-21	SIFON	SIPHON ASSY	1
22	71001014.098	MP152-22	VALVULA DESCARGA	RELIEF VALVE ASSY	1
23	71001014.099	MP152-23	VALVULA PRESION TRASERA	BACK PRESSURE VALVE ASSY	1
24	71001014.100	MP152-24	SALIDA MANGUERA	OUTLET HOSE ASSY	1
25	71001014.101	MP152-25	ANILLO	O-RING 66x2	1
26	71001014.102	MP152-26	INTERRUPTOR ON-OFF	ON-OFF SWICTH ASSY	1
27	71001014.103	MP152-27	ANILLO AMORTIGUADOR	DAMPING RING	4
28	71001014.104	MP152-28	JUNTA 6	GASKET 6	4
29	71001014.105	MP152-29	TORNILLO M6X75	BOLT M6X75	4

